

# High-Strength Model Now Available in the Electric Lock Series



**NEW**

## Electric Lock with Self-Holding Function



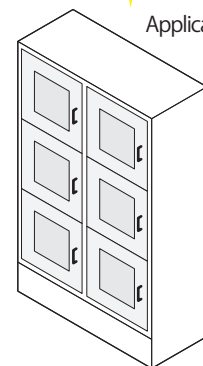
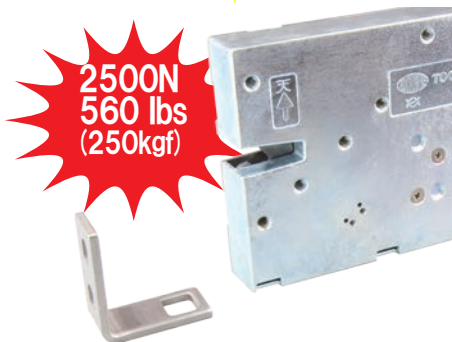
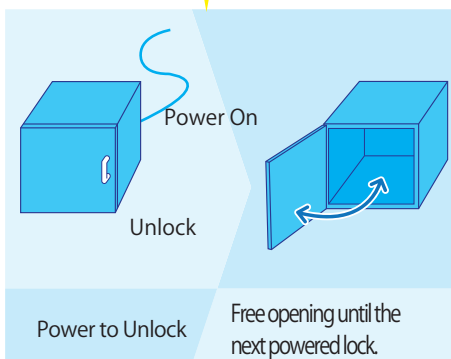
**Energy Saving**



**Firmly Locked**



**IPX3-rated Drip-Proof**



Application: Freezer Box

The self-holding type remains unlocked even when power is cut.

Because no power is required to maintain the unlocked state, it contributes to energy savings

A high-strength electric lock with a holding force of approx 2,500 N / 560 lbs to prevent forced entry

IPX3 drip-proof performance.

Ideal for freezer boxes and semi-outdoor enclosures



**TOCHIGIYA CO.,LTD.**

# EST Lock



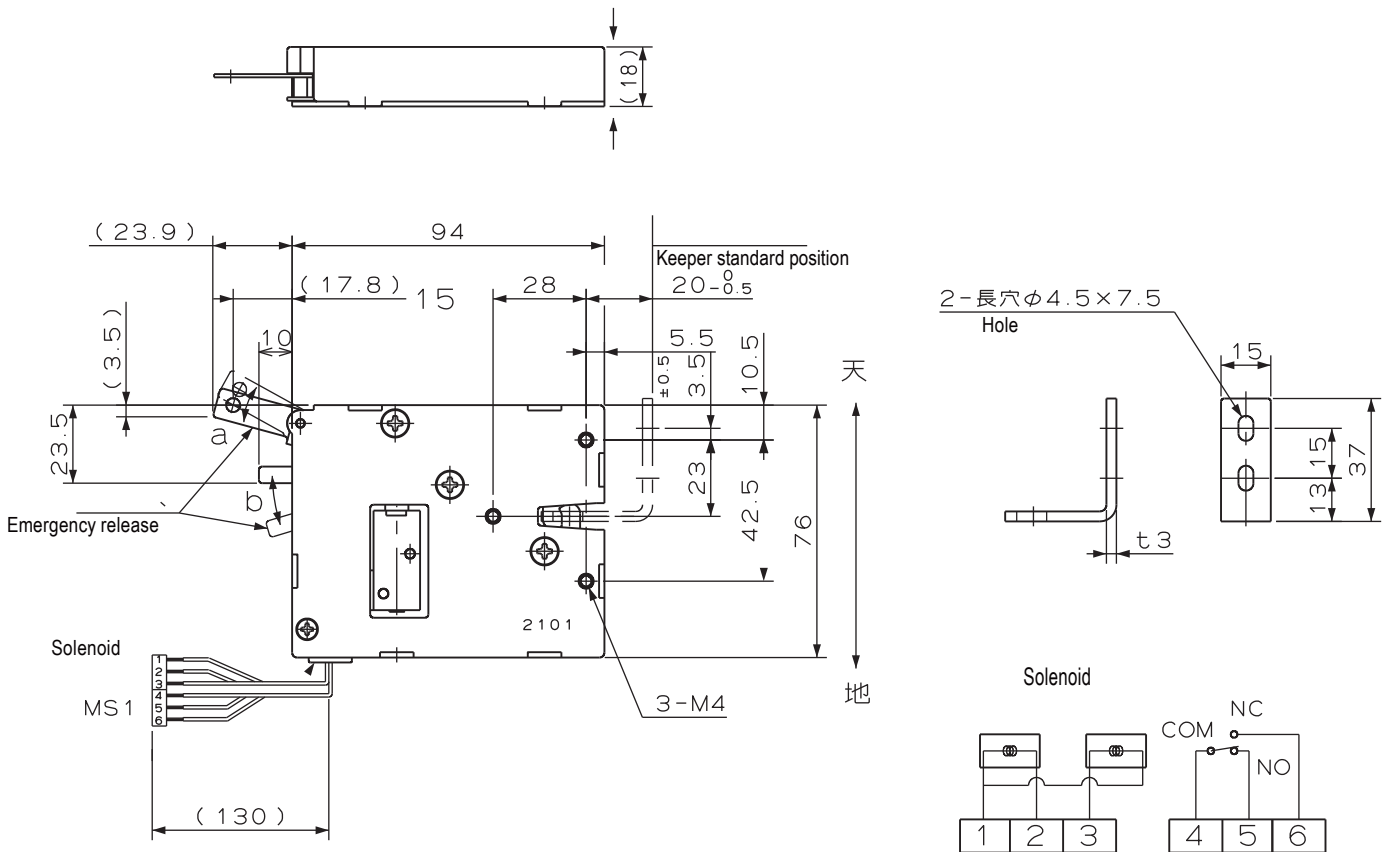
## Specification

Type	Model N.	Product Name	(V)
Self Hold	LD-0051	EST Lock ( S - 1 M K - 5 V )	DC 5V
	LD-0053	EST Lock ( S - 1 M K - 12 V )	DC12V
	LD-0055	EST Lock ( S - 1 M K - 24 V )	DC24V
Keeper Kick-Out Type	LD-0061	EST Lock ( S - 1 M P - 5 V )	DC 5V
	LD-0063	EST Lock ( S - 1 M P - 12 V )	DC12V
	LD-0065	EST Lock ( S - 1 M P - 24 V )	DC24V

EST Lock



## Dimensions in MM

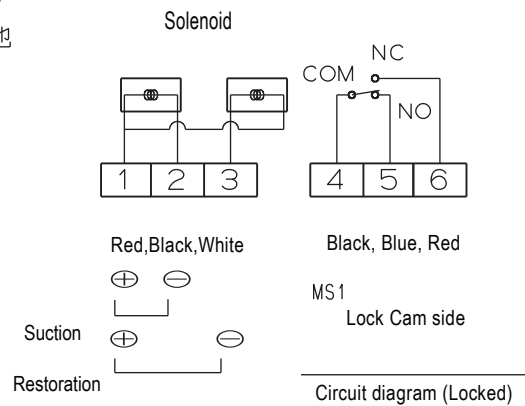


### Connector Specification

Made in JST  
XARR-06VF (Panel Lock)  
Housing (Panel lock added)  
Pin Contact ( Pin Number1~3 ) : SXAM-001T-P0.6  
Pin Contact Pin number  
Pin Contact ( Pin Number4~6 ) : SXAM-01T-P0.6  
Pin Contact Pin number  
XMS-06V  
Retainer

### Harness Specification

Solenoid Side (1~3) : AWG26(UL1061) φ1  
MS Side(4~6) : AVS0.3 φ1.8



Custom orders  
available upon request

**TOCHIGIYA** TOCHIGIYA CO.,LTD.

<https://tochigiya.jp/shop/>



TOCHIGIYA ONLINESHOP

search