

Easy to Use, High Security Parcel Lock

Tochigiya' s original parcel lock, developed in-house



LL-0021/LL-0022
Parcel Lock



Price

取付例



Good Price!
Constructed from weather-resistant AES resin for enhanced durability.
The latch is engineered for strength, with a breaking load of 300N.(67.4 lbf)

Easy Operation



Features a reversible dimple key for easy use without concern for orientation.
A knob-operated mechanism ensures smooth door operation.

Emergency Release

Emergency Release Lever

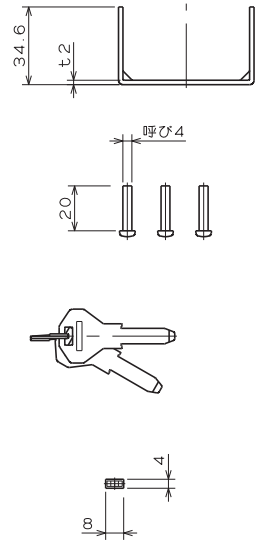
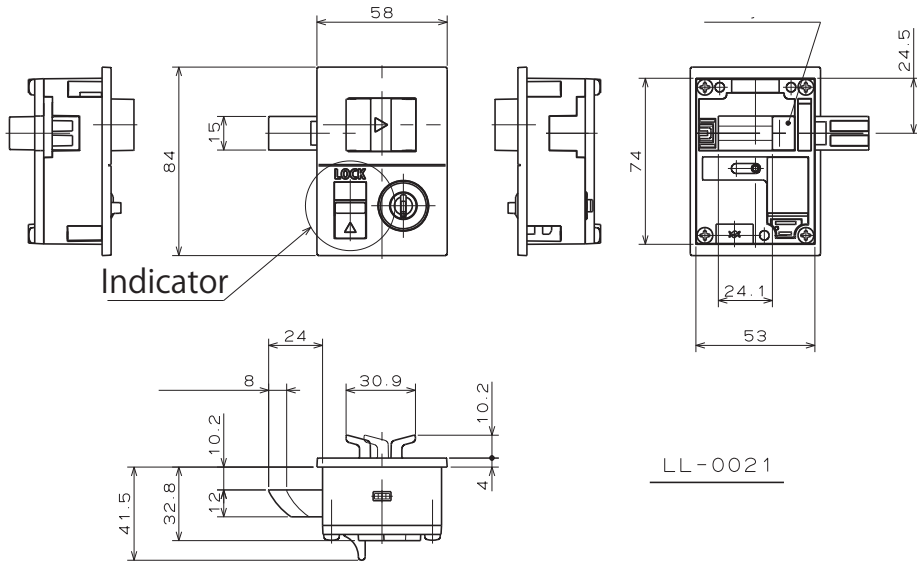


For added safety, an internal emergency release lever allows occupants to exit safely in the unlikely event they are confined inside.

 **TOCHIGIYA CO.,LTD.**

<https://tochigiya.jp/shop/>

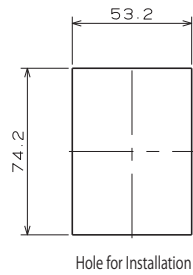
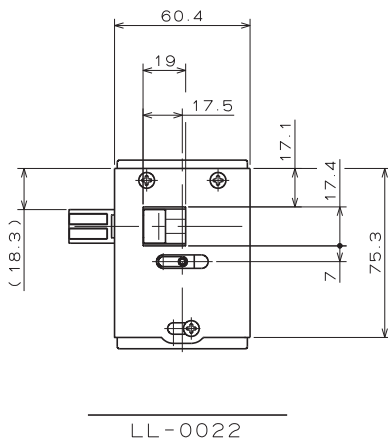
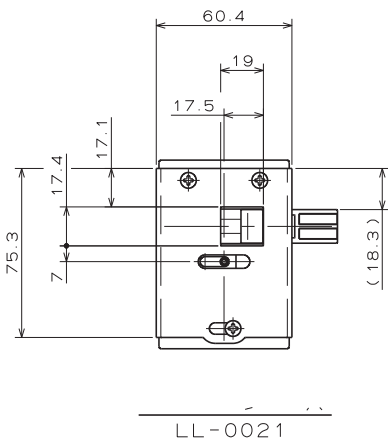
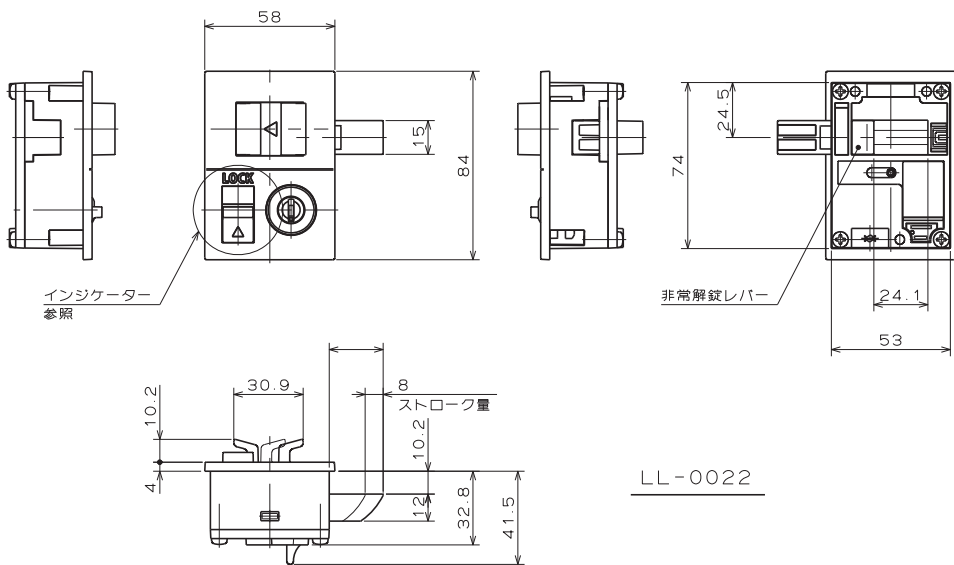
Dimensions in MM



Indicator :
Blue Open



Indicator :
Red Lock



Model No.
LL-0021(Left)
LL-0022(Right)



Custom lengths and colors are available.



<https://tochigiya.jp>



TOCHIGIYA

Search

