

BLACK



NEW

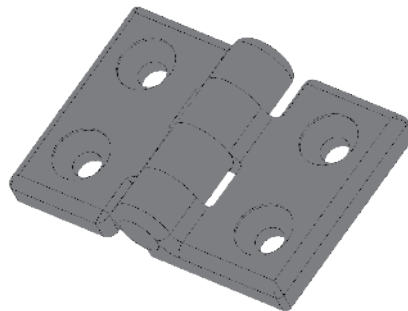
Plastic Hinge

Color



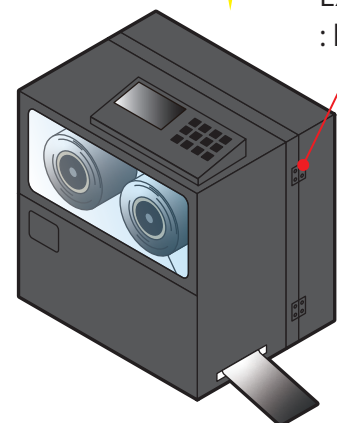
A new black plastic hinge has been added to the TH-141 series, previously available only in ivory. You can now choose the color that best matches your enclosure.

Design



Unlike metal hinges, this product provides a soft, gentle appearance. Its protrusion-free, fully rounded design minimizes the risk of injury for improved safety.

Process Reduction



Perfect for those who want to match hinges to black doors (up to 3.4 kg / 7.5 lbs) without a separate painting process.



TOCHIGIYA CO.,LTD.

TH-141-2B

Hinge - Plastic



Made from black Plastic material,
it eliminates concerns about paint
peeling or uneven finish

Product Details



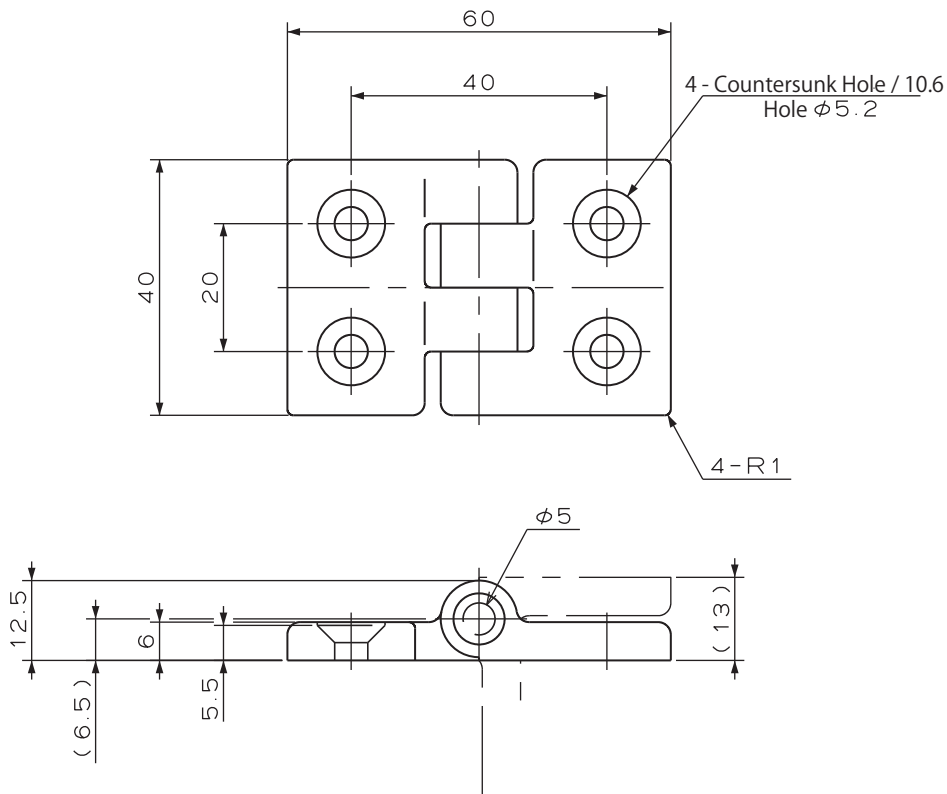
型番	自重(g)
TH-141-2B	19.0

Reference Door Weight: 3.4 kg (using two units)

M5 Countersunk Screw

Recommended Torque: 1.5 N·m (15.3 kgf·cm)

Dimensions in MM



We help solve your
component challenges.
Please feel free to contact us!



TOCHIGIYA CO.,LTD.

<https://ec.tochigiya.jp/shop/>



TOCHIGIYA ONLINESHOP

search

2D/3D CAD data available for download (PC access only)