

Tired of dealing with cumbersome bonding wires for static electricity control?

We offer conductive Hinges that eliminate the hassle of bonding wires



Resistance: 0.1 Ω or less

TH-190E-4-0.3



Hinge - Free Stopping - Concealed - Conductive

TH-191E-4

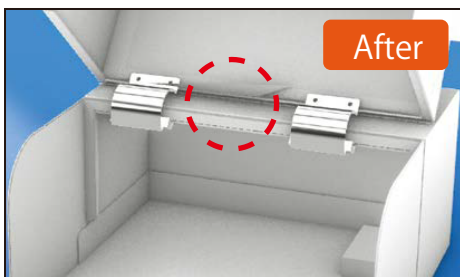
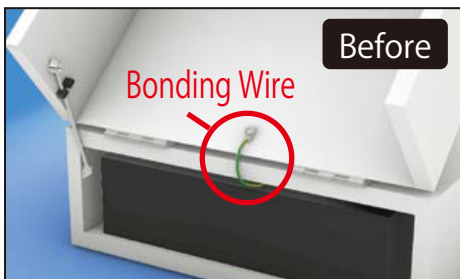


Hinge - Concealed - Conductive

Reduced Wiring Labor
and Breakage Prevention

Concealed hinge

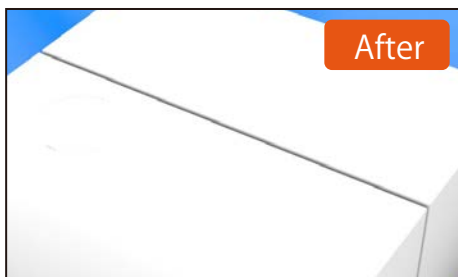
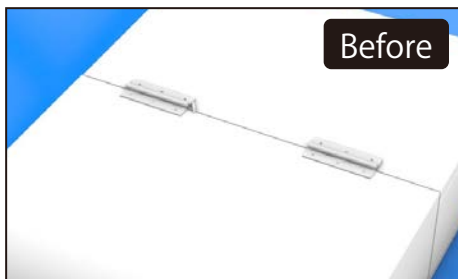
Vertical installation OK



Expected to reduce wiring design effort and installation labor.

Resolves issues such as wire breakage while delivering a clean, streamlined appearance.

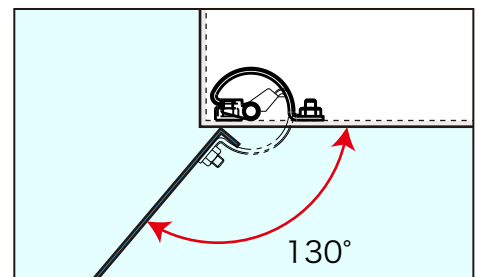
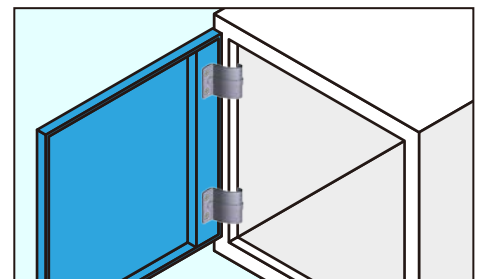
Note: Please evaluate and make your decision after verification through actual implementation in accordance with your specific application requirements.



The concealed hinge design preserves the clean exterior appearance of the enclosure.

The free-stop mechanism holds the door securely without the need for a stay.

Durability: 20,000 cycles (horizontal use).



The rigid hinge-piece design eliminates play, preventing door sag when used in a vertical orientation.

A wide opening angle of 130° ensures excellent accessibility and workability (mounting plate thickness: $t = 1.6$ mm).

Durability: 10,000 cycles (vertical use). Reference Door Weight (Vertical Shaft): 4.4 lbs (2 kg)

Hinge - Free Stopping - Concealed - Conductive

Characteristic

This is a conductive version of the hinge that can be stationary in any angle.
 Can be installed on the back side (inside) so as not to spoil the appearance of the enclosure.
 A larger opening angle can be secured compared to conventional products.
 Can be used horizontally or vertically.

Application

Fixtures (cash registers, charge machines), etc.

Notes

The resistance value was calculated with only this product.
 This product was created in expect of working as same as bonding wire/ be in place of it in case when bonding wire would broke.
 However please be sure to confirm with your actually installed status.
 Please do not clean up grease painted on sliding surface of middle member.
 Please do not install it onto painted surface for making its electrical conductivity.
 The above values are based on the use of two hinges. This value is for strength, not for torque.

Parts List

No	Part Name	Material	Finish	Qty	
				TH-190E-4-0.3	TH-191E-4
1	Hinge Piece (A)	SUS304	Shiny Barrel Polishing	1	1
2	Hinge Piece (B)			1	1
3	Shaft	SUS303	—	2	2
4	Friction Material	S	Ni (Electroless plating)	6	4
5	Disc Spring			8	—
6	Nylon Nuts	SUS/PA	—	2	2

Hinge - Concealed - Conductive

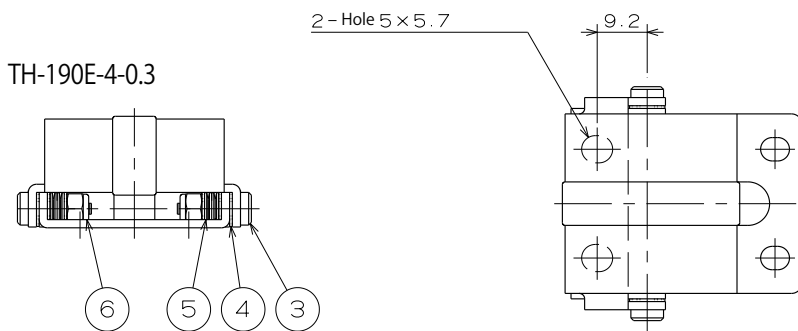
Specifications

Installation direction: Set the pin horizontally and vertically.
 Operating temperature range: 0°C to +60°C
 Resistance: 0.1Ω or less between hinge pieces (A) and (B)
 Durability
 Shaft in horizontal position: 20,000 times (at room temperature)
 Shaft in vertical position : 10,000 times (at room temperature)
 Stud bolt length for mounting hinge piece (B): 10 mm or less.
 This product can be used in combination with TH-190E-2-2.0, TH-191E-2.
 Do not adjust the torque (nut).
 Please also check the specifications of free stop hinges.

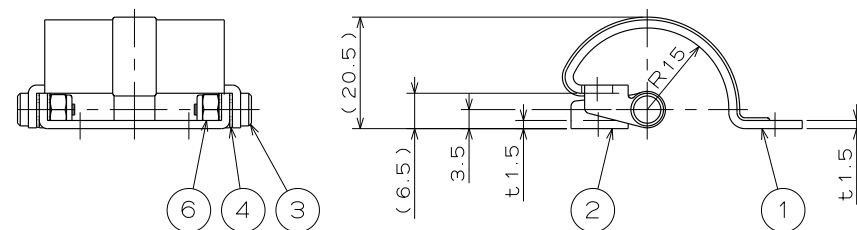
Specifications

Part Number	Torque N-m(kgf-cm)	W (g)
TH-190E-4-0.3	0.3 ±0.045 (3 ±0.45)	36.7
TH-191E-4	0.15以下(1.5以下)	35.9

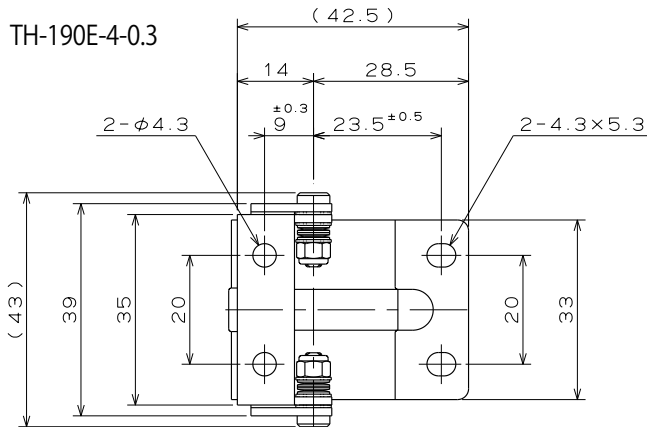
Dimensions in MM



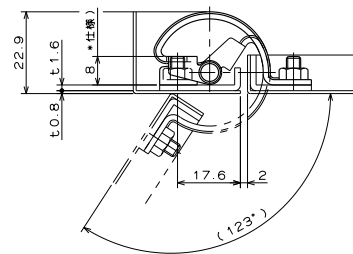
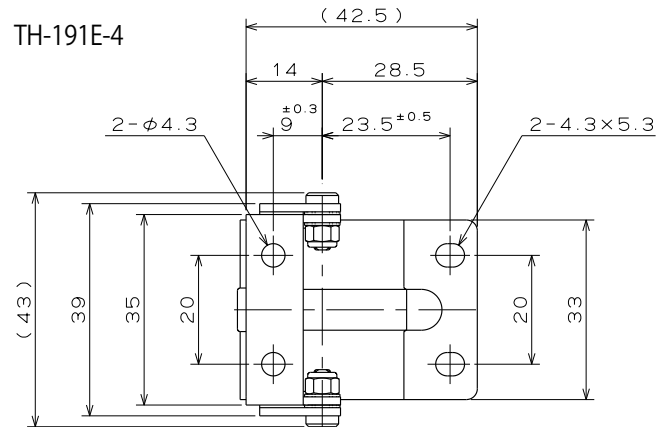
TH-191E-4



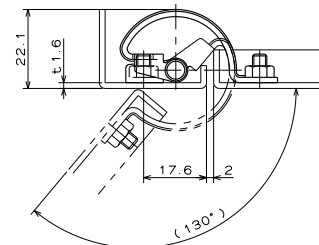
TH-190E-4-0.3



TH-191E-4



Installation Example (2.4mm plate thickness)



Installation Example (1.6mm plate thickness)