

Elevating Machinery with Elegance, Unity, and a Commanding Presence.
 Color-match with the enclosure for a unified aesthetic,
 or choose contrasting colors for maximum visibility.



THA-317-BK Flush Pulls
 (Black ED coating)



BLACK

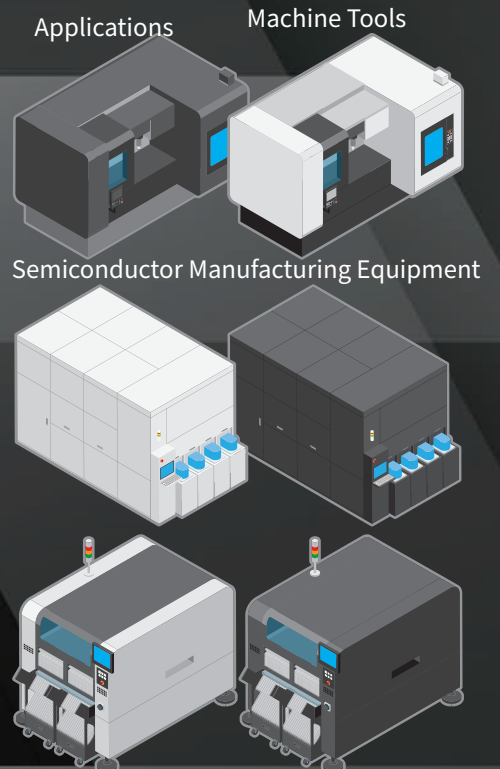
**Now Available
 in Matte Black**



**A Sleek, SEMI
 -Compliant Grip**



**Eliminate Secondary
 Processing Steps**



Introducing the Black Electrodeposition Coated finish, a premium addition to our standard stainless steel recessed handle series.

Compliant with SEMI S8-0701 standards, this recessed handle allows for a secure, full four-finger grip.

Ready to install on black or white doors, this pre-finished black handle completely eliminates the need for post-assembly painting or plating. Streamline your production workflow while significantly reducing time and manufacturing costs.

THA-317



Compliant with SEMI Standard : S8-0701

Characteristic

A stainless steel made pull. Compliant with SEMI standard S8-0701. We line-up two finish and two install types, hairline finish and semi-gloss black painted/ with nut install and with screw install.

Application

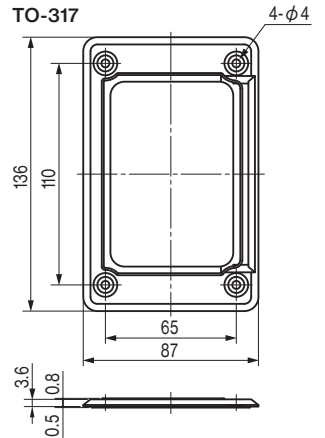
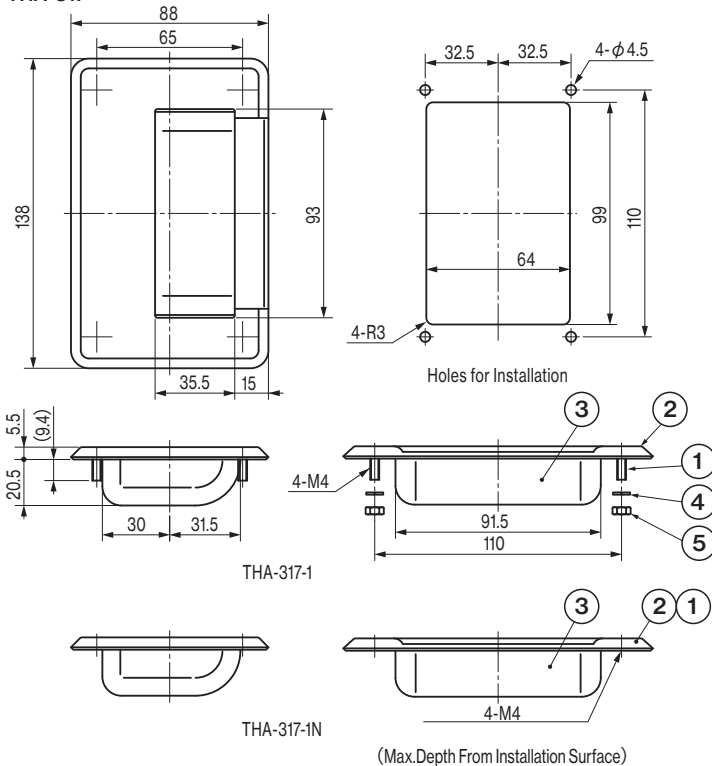
Measuring instruments / Medical equipments, etc.

Parts List

No.	Part Name		Material	Finish		Quantity
	THA-317-1/THA-317-1-BK	THA-317-1N/THA-317-1N-BK		THA-317-1/THA-317-1N	THA-317-1-BK/THA-317-1N-BK	
1	Threaded Stud	Hexagonal nut	SUS	—	—	4
2	Cover	—	SUS304	Hairline	Black semi-gloss paint	1
3	Case	—		—		1
4	Spring washer	—	SUS	—	—	4
5	Nut	—		—	4	

Part numbers 4 and 5 are not included with THA-317-1N, -1N-BK.

THA-317



※For water-proof. Protect the screw by extra sealing material in case higher water-proof is required.

Material & Finish

Model No.	Material	Finish
TO-317	EPDM (Ethylene Propylene Diene Monomer)	Black

Specification THA-317

Model No.	仕様	Specification	Net Weight (g)
THA-317-1	Threaded Stud	Hairline finish	185
THA-317-1-BK		Black semi-gloss paint	
THA-317-1N	Hexagonal nut	Hairline finish	177
THA-317-1N-BK		Black semi-gloss paint	

Specification

TO-317 Packing for THA-317 (Optional)

Model No.	Net Weight (g)
TO-317-1	21.5