



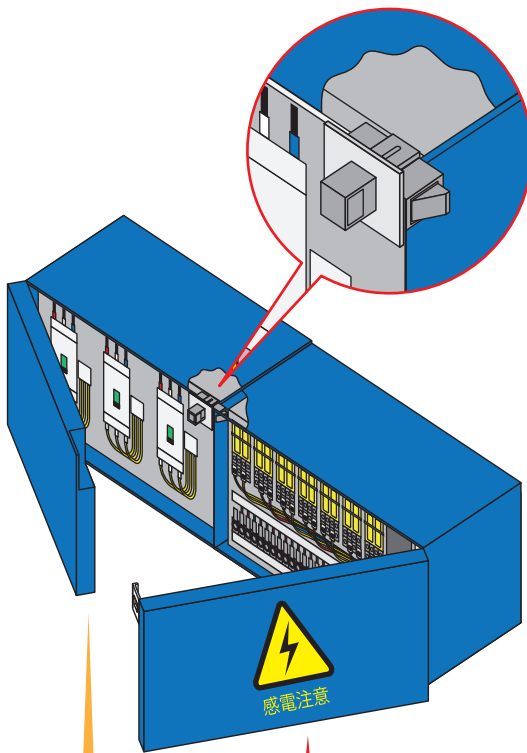
**Additional Lineup Available**

**Selectable Orientation**

**One-Push Latch**

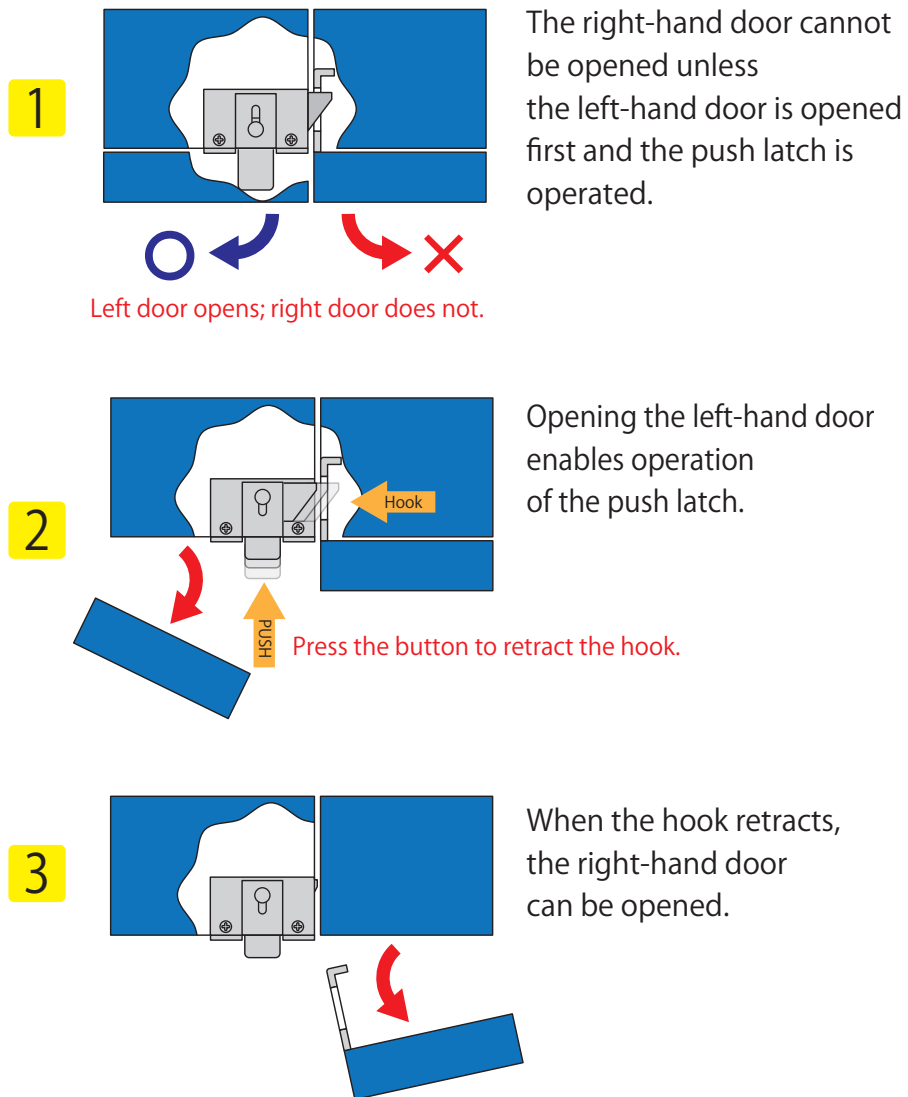
**NEW** TL-135 Series

Usage and Operation Examples



Left | Operation 1      Right | Operation 2, 3

No more unwanted door openings!  
The right door stays firmly in place  
until you press the button of the latch.



Note:  
A minimum door width of 280 mm is required to prevent interference during operation.

# TL-135



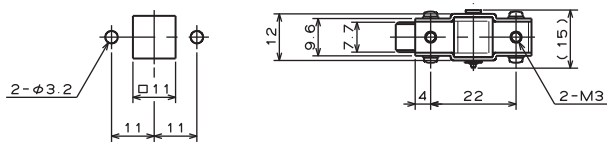
## Push Off Slam Latch

Model No.	TL-135
Model No.	TL-135L
Model No.	TL-135-2

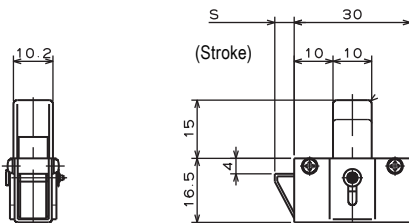
Specification



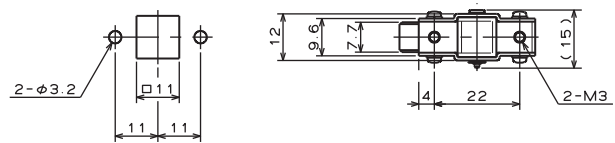
Dimensions in MM



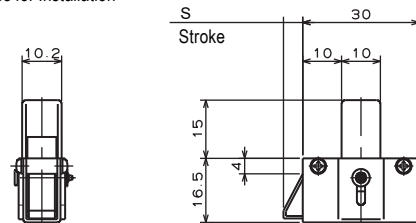
Holes for Installation



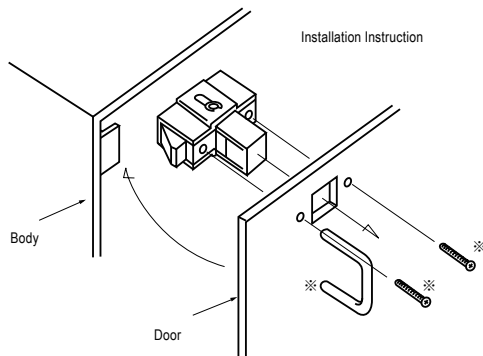
TL-135 · TL-135L



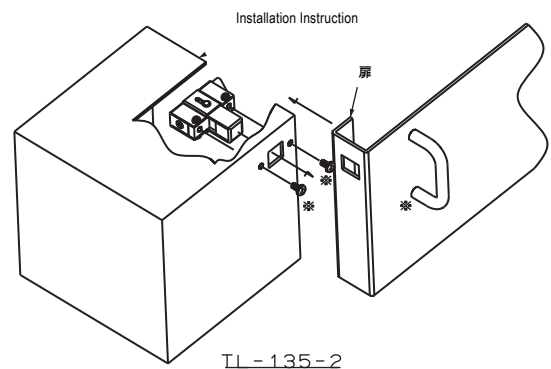
Holes for Installation



TL-135-2



※Marked parts are not included.



TL-135-2



Custom flame-retardant options available upon request

**TOCHIGIYA** TOCHIGIYA CO.,LTD.

<https://tochigiya.jp/shop/>



TOCHIGIYA ONLINESHOP

search

2D/3D CAD data available for download (PC access only).