

Weak spring option available upon request.

※TL-249-2P

Push In to Lock Securely

Vibration Resistant

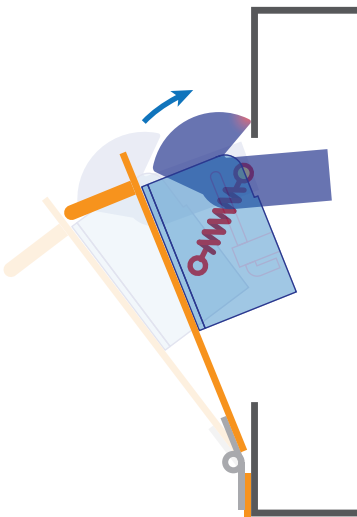
NEW

TL-249-2



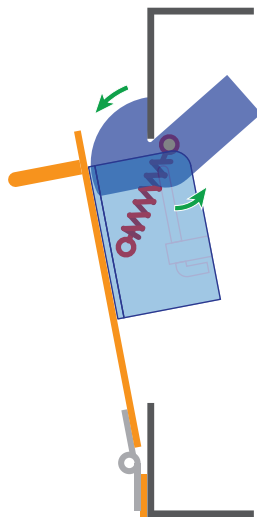
1

When the lid is pushed in...



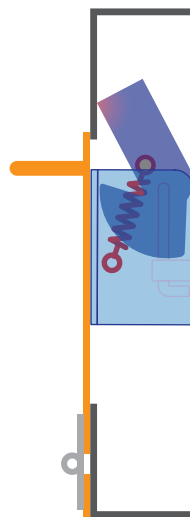
2

The latch rotates and...



3

Spring Force Locks the Lid Securely!



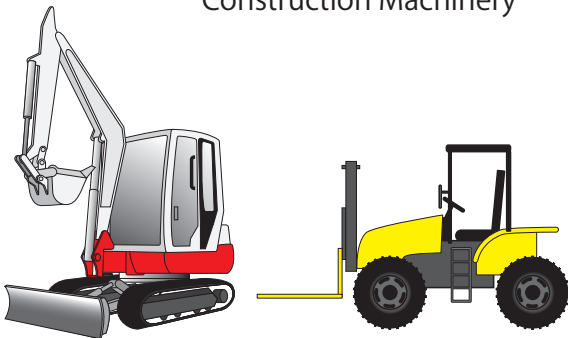
Spring-Enhanced Vibration Resistance



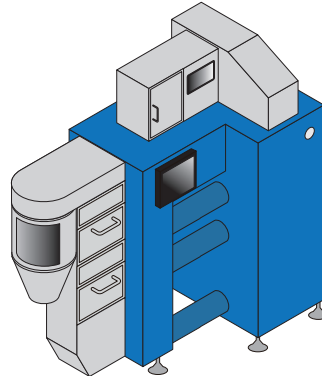
Applications

★Can also be mounted on the side or bottom.

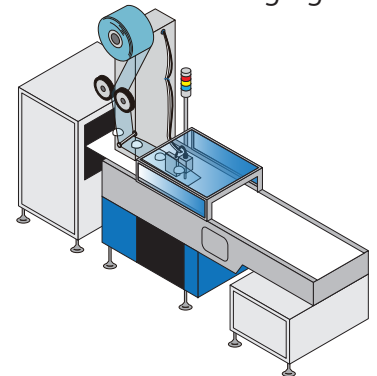
Construction Machinery



Rice Milling Machine



Packaging Machine



Suitable for various applications, including machine tools and vibration-prone equipment.

# TL-249

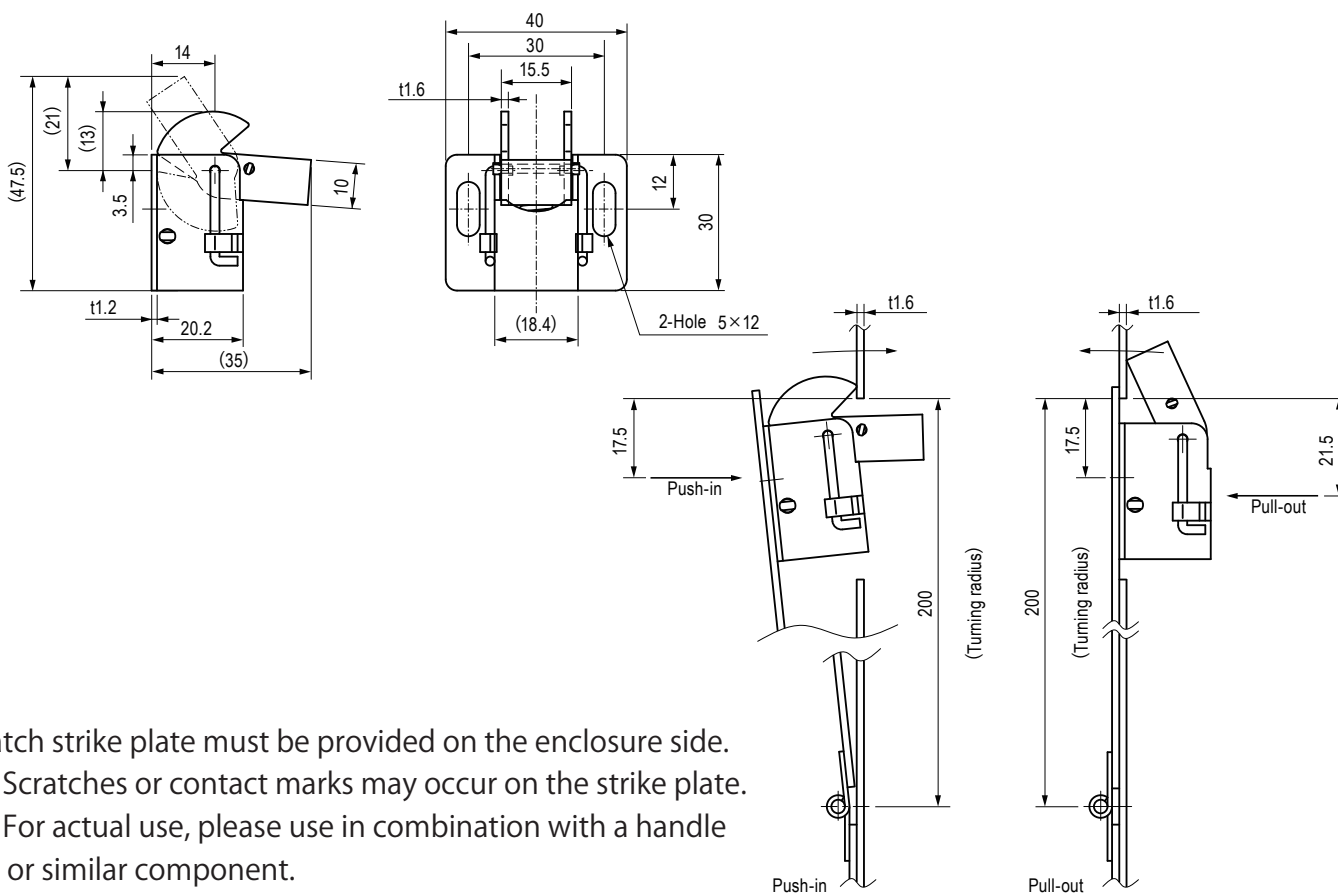
Snap Stopper



Model N.	Push-in N(kgf)	Pull-out (kgf)	W (g)	
TL-249	40(4)	50(5)	35	
TL-249-2	13(1.3)	19(1.9)	35	

NEW

## Dimensions in MM



※A latch strike plate must be provided on the enclosure side.  
 Note: Scratches or contact marks may occur on the strike plate.  
 Note: For actual use, please use in combination with a handle or similar component.



**Custom flame-retardant options available upon request**

**TOCHIGIYA TOCHIGIYA CO.,LTD.**  
<https://tochigiya.jp/shop/>



TOCHIGIYA ONLINESHOP

search