

# For securely locking and unlocking, Longer and Stronger latching.

**NEW**



## Solenoid Latch



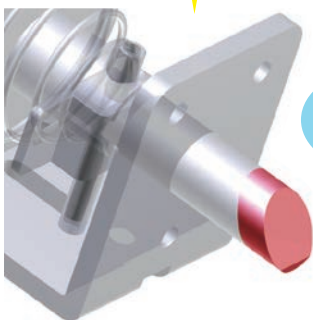
**Longer  
Latching  
Stroke**



**Stronger  
Pull-in  
Force**



**Emergency  
Lock  
available**



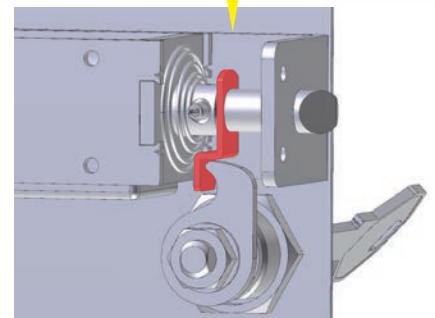
+1mm

**1.96N**



1.7 times  
stronger.

**3.44N**



6mm, by 1mm longer latching stroke than TL-259 series. A slight difference enables a range of design options.

Stronger force at more than 3.44N pull-in force which actuates to unlock door. About 1.7 times stronger than TL-259 series.

Separately sold Emergency Lock is available. Please ask us for selecting a suitable lock. ※Cam is available in custom dimensions.



TOCHIGIYA CO.,LTD.

# TL-439

## Solenoid Latch

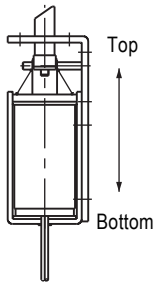
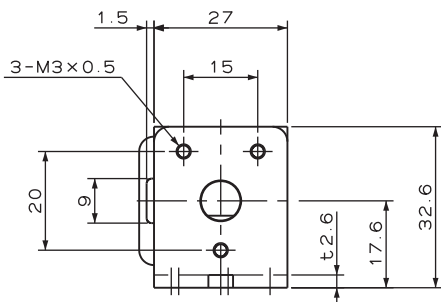


ONLINE SHOP Catalog

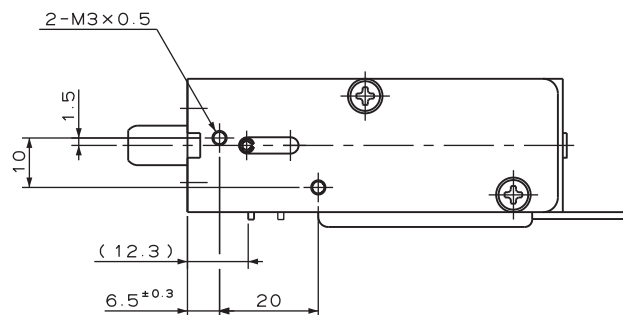
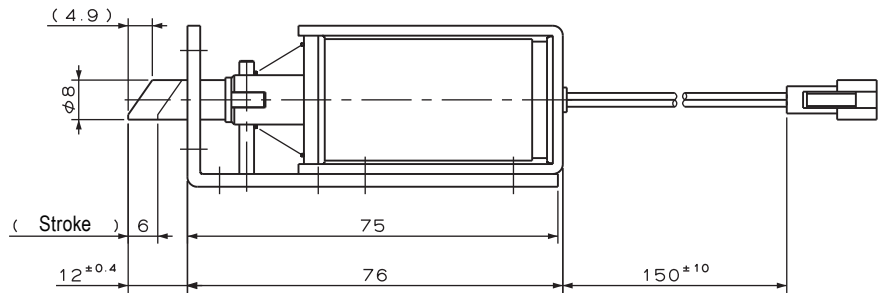
Model No.	Net Weight(g)
TL-439	248



Dimensions is MM



Please use it in a horizontal position, not vertically.



Please contact us custom-made size or specification.

 TOCHIGIYA CO.,LTD.

<https://tochigiya.jp/shop/>



TOCHIGIYA ONLINESHOP

search 

Visit our Online Shop to download CAD data available on desktop.