

Extensive lineup: Right-hand / Left-hand × 3 keeper types

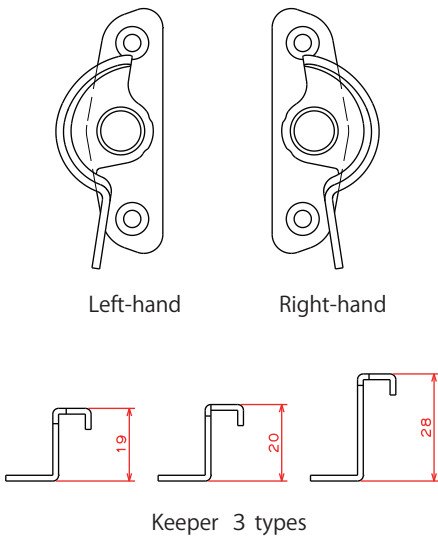


TL-443 Crecent Latch

**Available in
Multiple Sizes**

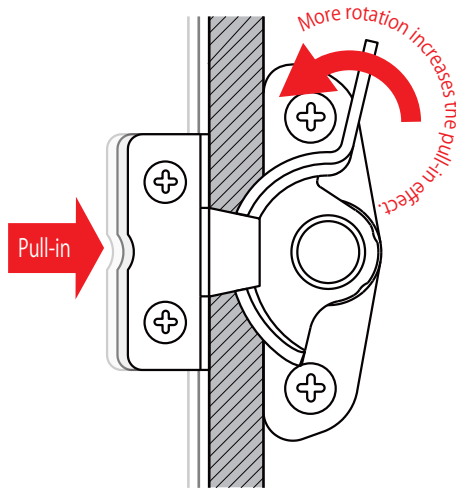
Pull-in effect

**Stainless steel
/ Outdoor use**



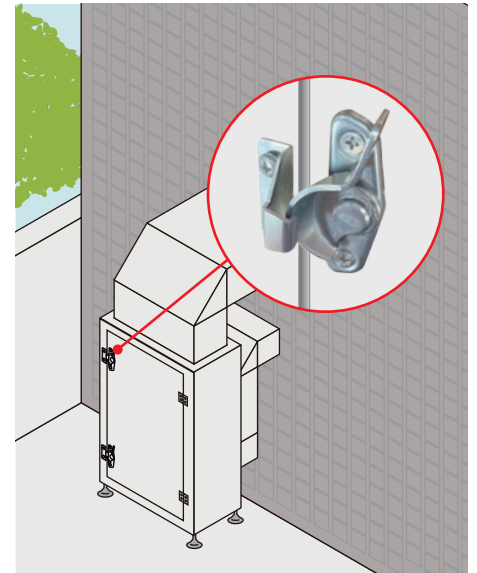
Keeper 3 types

Two body types (right-hand / left-hand) and three keeper heights are available for various applications.

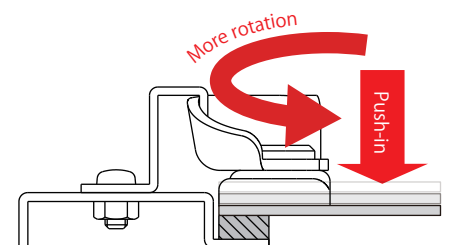


The angled design pulls the keeper toward the body as the lever rotates, enhancing the airtight seal.

A distinct tactile click during both locking and unlocking ensures secure and reliable operation.



The inclined design provides a pull-in effect, even on swinging doors.





Crecent Latch

Characteristic

The latch is made of stainless steel to get more effective anticorrosion and chemical resistance.
It has click feeling while locking/unlocking.

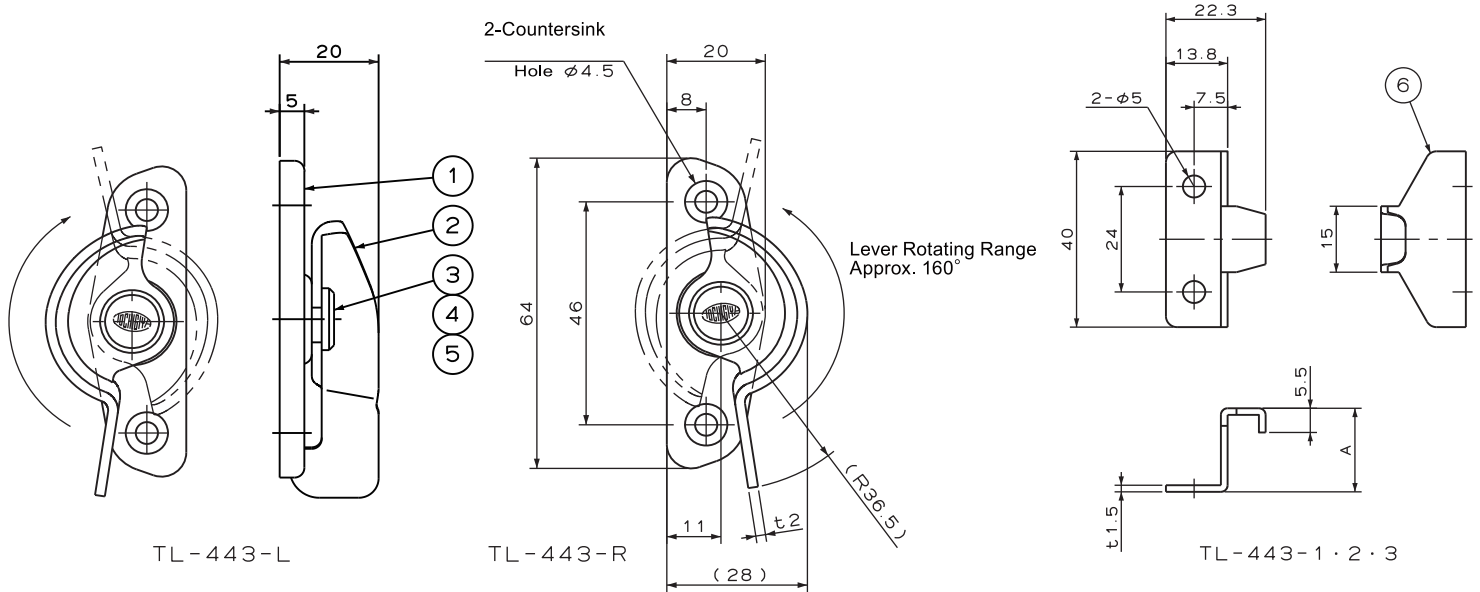
Application

Vessels / Vehicles / Machine tools, etc.

Parts List

No.	Part Name	Material	Finish	Quantity
1	ベース	SUS304	Barrel	1
2	レバー			1
3	シャフト	SUSXM7	Polishing	1
4	カム	1		
5	スプリング	SUS304	—	1
6	キーパー		Barrel Polishing	1

Dimensions in MM



Note

Install the installation surface not to fall within lever rotating range.
Otherwise, the end of the lever might be touched with the installation surface.

Product No.	Name		A	W (g)	
TL-443-R	Crecent Latch	Right	—	33.7	
TL-443-L		Left	—	33.7	
TL-443-1	Keeper	—	19	13.3	
TL-443-2		—	20	13.4	
TL-443-3		—	28	17.1	
TL-443-R-001	TL-443-R+TL-443-1	Right	19	47.0	
TL-443-R-002	TL-443-R+TL-443-2		20	47.1	
TL-443-R-003	TL-443-R+TL-443-3		28	50.8	
TL-443-L-001	TL-443-L+TL-443-1	Left	19	47.0	
TL-443-L-002	TL-443-L+TL-443-2		20	47.1	
TL-443-L-003	TL-443-L+TL-443-3		28	50.8	

