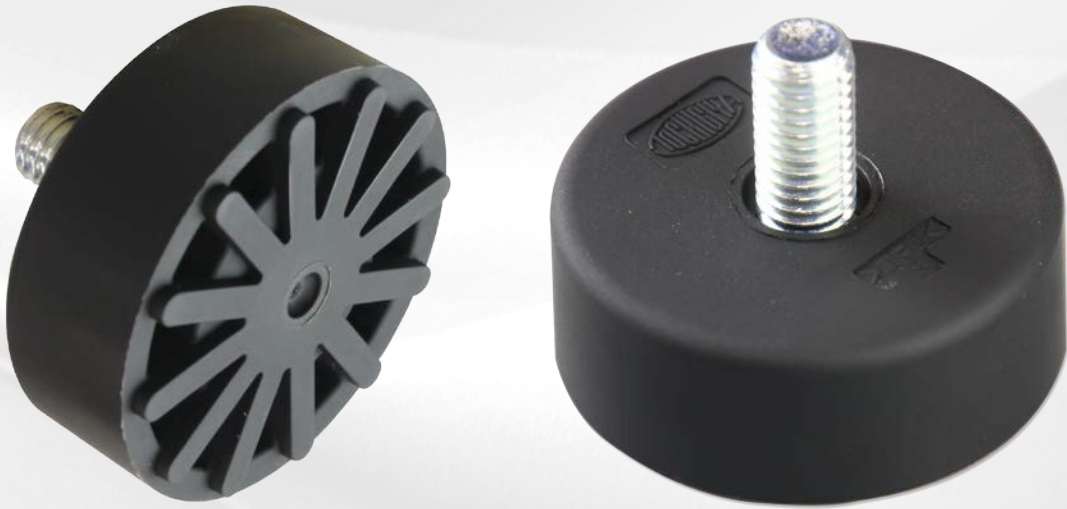


Market  
Needs

Compact yet highly grippy adjuster foot.

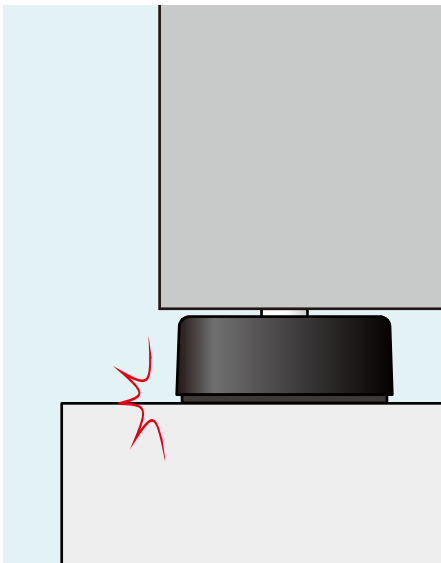
Solution

A compact foot with high grip!



TM-246 Plastic Level Adjuster

High grip



Slip-resistant and non-marring compared to hard plastics. Outstanding wear resistance compared to standard rubber.

Tool-less  
installation



Short screw length for hand tightening.

Small

Countertop Coffee Machine



A compact, low-profile foot design.

The bottom grip protrusions are smaller than the outer diameter, preserving the appearance after installation.

 **TOCHIGIYA**

**TM-246** **NEW** **TSCA PBT5** **RoHS2 10**

# Plastic Level Adjuster (High grip force/ TPU)



**Characteristic**

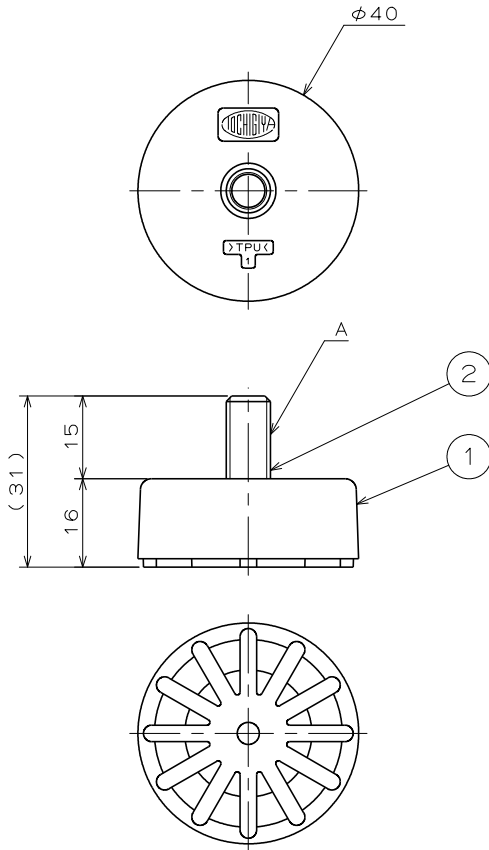
This is the small adjuster foot.  
 It is made by resin and has high grip force.  
 It can be installed without any tools, even can be fasten with hands because its screw is short.

**Application**

Drink dispenser/ Tabletop equipment/ Furniture/Office automation appliances,etc.

No	Part Name	Material	Finish	Qty
1	Foot	TPU	Black	1
2	Bolt	S	Trivalent Chromate Treatment	1

Dimensions is MM



Product Number	A	N(kgf)	W (g)
TM-246-M8-15	M8×1.25	588(60) 132.2 lbf	30.4
TM-246-M10-15	M10×1.5		40

**Custom flame-retardant options available upon request**

**TOCHIGIYA TOCHIGIYA CO.,LTD.**

<https://tochigiya.jp/shop/>



TOCHIGIYA ONLINESHOP

search