

Thinness for sturdy tightening.



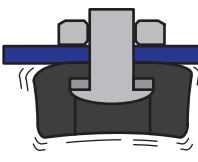
3mm (0.12 in), the industry's World-class thinnest Rubber Foot!

NEW

TM-347



Inside collar prevents deformation.



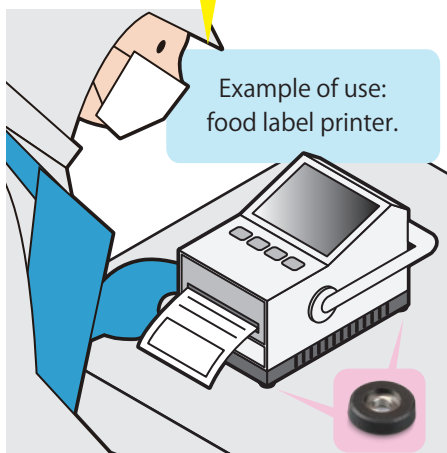
Ordinary rubber foot deforms by screw tightening force.



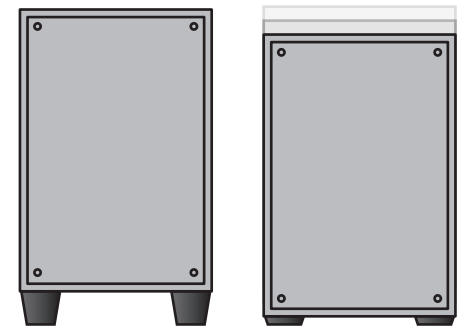
This thin rubber foot keeps the shape.



Easy installation with only one screw.



3mm (0.12 in) thickness.



Installed hat type metal collar with stands strong screw tightening and it achieves thin design.
Rare type rubber foot, nothing is same.

Screw-mounted for a secure fit -unlike adhesives or press-fitting, it eliminates the risk of peeling or detachment, making it ideal for contamination-sensitive equipment.

Japan's thinnest new 3mm thin rubber foot improves design properties.



TOCHIGIYA

TM-347

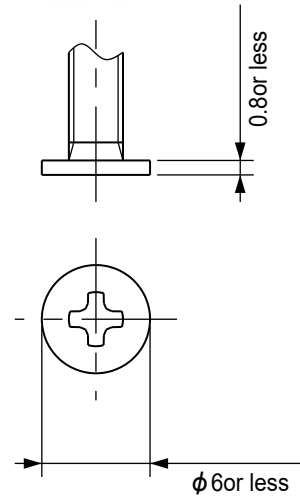
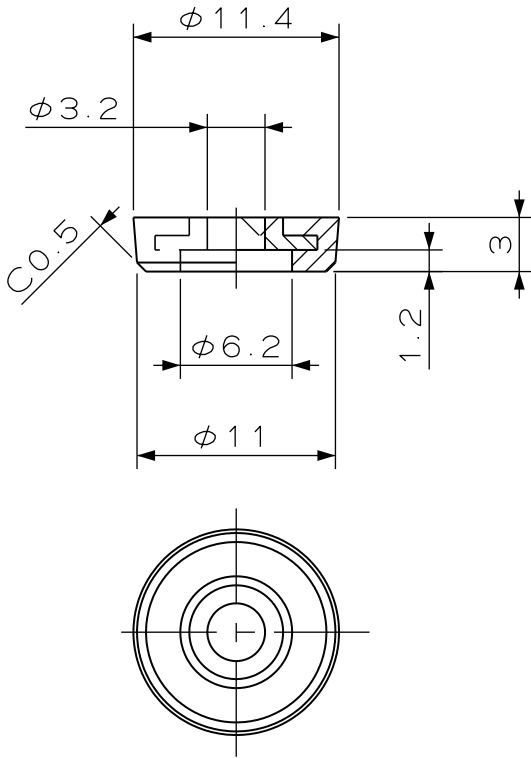


Thin Rubber Foot

This product was developed based on customers' requests. Please contact us with any concerns you may have on-site.



ONLINE SHOP



Recommended mounting screw dimensions

Recommended Tightening Torque is for keeping the shape of rubber foot. For stronger fastening, please apply screw locking adhesive for plastic.

Model No.	Recommended Tightening Torque mN · m (kgf · cm)	Allowable Load N (kgf)	Net Weight (g)
TM-347	630 (6.4)	29.4 (3.0)	0.6



Please contact us custom-made of another colored, antibacterials and etc.



<https://ec.tochigiya.jp/shop/>



栃木屋オンラインショップ

検索

Visit our Online Shop to download CAD data available on desktop.