

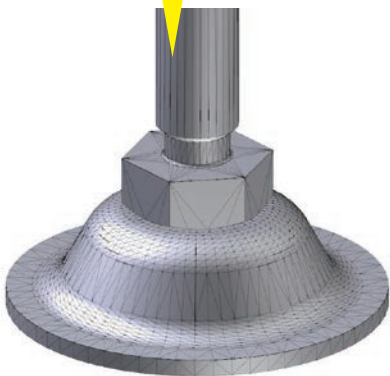
NEW

T M-372 S

Stainless Steel Adjustable Foot for Heavy Loads



Significantly Increased Allowable Load!



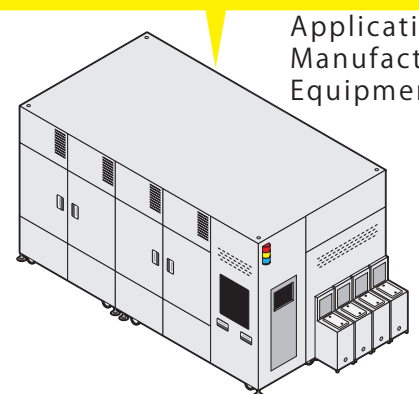
Redesigned foot shape significantly increases load capacity, making it ideal for heavy equipment and large machines.

Accessible from the Bottom of the Bolt



It has a cross-shaped hole at the bottom
It can be easily installed with a screwdriver.

Extensive Lineup



Application:
Manufacturing
Equipment

M12, M16, and M20 sizes and length 143mm to 211mm are available. It is suitable for a wide range of applications, including semiconductor manufacturing equipment, kitchen equipment, and outdoor enclosures.



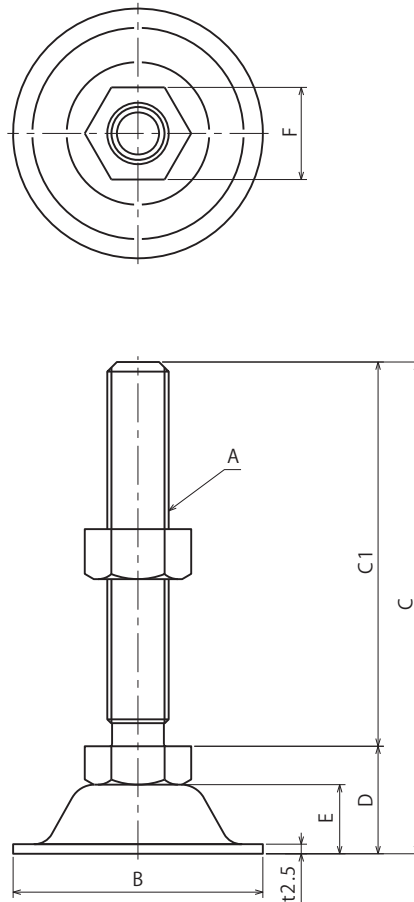
TOCHIGIYA CO.,LTD.



Specifications

TM-372S

Stainless Level Adjuster for heavy use



Dimensions in MM

Model No.	A	B	C	C1	D	E	F	Allowable Load	kN (kgf)	W (g)	
TM-372S-3	M12 × 1.75	φ55	(143)	120	23	15	19	8.9(907)		195	
TM-372S-4			(173)	150						218	
TM-372S-6	M16 × 2.0	φ65	(128)	100	28	18	24	12.5(1274)		316	
TM-372S-7			(158)	130						355	
TM-372S-9			(208)	180						420	
TM-372S-11	M20 × 2.5	φ75	(161)	130	31	18	30	17.5(1783)		568	
TM-372S-13			(211)	180						670	



Custom lengths and colors are available.
Please feel free to contact us.

TOCHIGIYA TOCHIGIYA CO.,LTD.

<https://tochigiya.jp/shop/>



TOCHIGIYA ONLINESHOP

search

2D/3D CAD data available for download (PC access only)