



## TCA-FZ型 双輪キャスター (ベアリング内蔵仕様)

Twin Wheel Caster with Bearing



### 特長

従来品に比べ、ベアリングの内蔵仕様になった為、走行性がグレードアップしました。

樹脂車輪のため走行音がとても静かで、また双輪のため旋回動作もとてもスムーズなキャスターです。

### 用途

OA 機器・オーディオラック・テレビ台・各種ワゴン等

### Characteristic

Compared to the conventional product, it can move more smoothly because the bearing is built in.

The resin wheel makes the moving sound gently and twin wheels makes the turning movement smoothly.

### Application

Office automation appliances / Audio racks / TV stands / Wagons, etc.

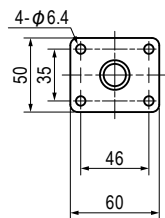
### 材質と処理 Material & Finish

| 部品名 Part Name | 材質 Material      | 処理 Finish                   |
|---------------|------------------|-----------------------------|
| 本体 Body       | PA               | 別記(色調)                      |
| 車輪 Wheel      | エラストマー Elastomer | As Stated Elsewhere (Color) |

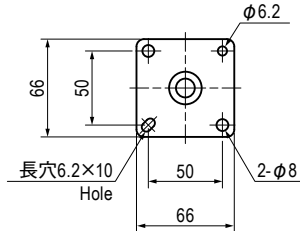
### プレート式

Plate Type

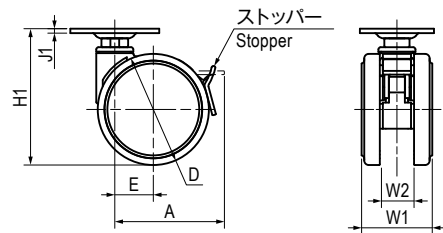
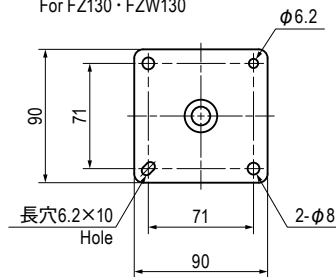
FZ75・FZW75の場合  
For FZ75・FZW75



FZ100・FZW100の場合  
For FZ100・FZW100

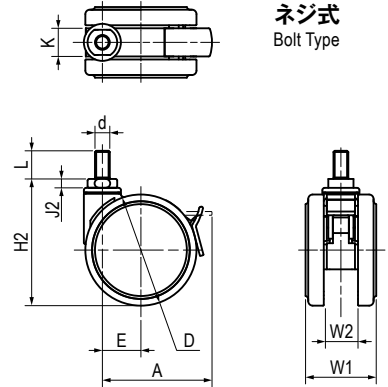


FZ130・FZW130の場合  
For FZ130・FZW130



本図はストッパー付を示したものです。  
This drawing shows the caster with stopper.

### ネジ式 Bolt Type



本図はストッパー付を示したものです。  
This drawing shows the caster with stopper.

### 寸法・仕様表 Size List & Specification プレート式 Plate type

| 型番 Model No. | A     | D    | E  | H1  | J1   | W1   | W2 | ストッパー Stopper   | 色調 Color | 許容荷重 (kg) Allowable Load (kg) | 自重 (g) Net Weight (g) |      |      |    |                 |          |      |
|--------------|-------|------|----|-----|------|------|----|-----------------|----------|-------------------------------|-----------------------|------|------|----|-----------------|----------|------|
| TCA-FZ75     | —     | φ75  | 26 | 92  | t3   | (47) | 22 | —               | グレー Gray | 80                            | 266                   |      |      |    |                 |          |      |
| TCA-FZ75S    | (74)  |      |    |     |      |      |    | 付き With Stopper |          |                               | 274                   |      |      |    |                 |          |      |
| TCA-FZW75    | —     | φ75  | 26 | 92  | t3   | (47) | 22 | —               | 白色 White |                               | 266                   |      |      |    |                 |          |      |
| TCA-FZW75S   | (74)  |      |    |     |      |      |    | 付き With Stopper |          |                               | 274                   |      |      |    |                 |          |      |
| TCA-FZ100    | —     | φ100 | 35 | 119 | t3.8 | (66) | 29 | —               | グレー Gray | 100                           | 631                   |      |      |    |                 |          |      |
| TCA-FZ100S   | (100) |      |    |     |      |      |    | 付き With Stopper |          |                               | 641                   |      |      |    |                 |          |      |
| TCA-FZW100   | —     |      |    |     |      |      |    | φ100            | 35       |                               | 119                   | t3.8 | (66) | 29 | —               | 白色 White | 631  |
| TCA-FZW100S  | (100) |      |    |     |      |      |    |                 |          |                               |                       |      |      |    | 付き With Stopper |          | 641  |
| TCA-FZ130    | —     | φ130 | 45 | 154 | (69) | (69) | 29 | —               | グレー Gray | 140                           | 981                   |      |      |    |                 |          |      |
| TCA-FZ130S   | (129) |      |    |     |      |      |    | 付き With Stopper |          |                               | 1004                  |      |      |    |                 |          |      |
| TCA-FZW130   | —     |      |    |     |      |      |    | φ130            | 45       |                               | 154                   | (69) | (69) | 29 | —               | 白色 White | 981  |
| TCA-FZW130S  | (129) |      |    |     |      |      |    |                 |          |                               |                       |      |      |    | 付き With Stopper |          | 1004 |

寸法・仕様表 Size List &amp; Specification ネジ式 Bolt type

| 型番<br>Model No. | A     | D    | E  | d        | H2   | J2 | K  | L    | W1 | W2                 | ストッパー<br>Stopper | 色調<br>Color        | 許容荷重(kg)<br>Allowable Load (kg) | 自重(g)<br>Net Weight (g) |      |                    |                    |             |     |     |
|-----------------|-------|------|----|----------|------|----|----|------|----|--------------------|------------------|--------------------|---------------------------------|-------------------------|------|--------------------|--------------------|-------------|-----|-----|
| TCA-FZ75N10     | —     | φ75  | 26 | M10×1.5  | 85.5 | 17 | 19 | (47) | 22 | —                  | グレー<br>Gray      | 80                 | 204                             |                         |      |                    |                    |             |     |     |
| TCA-FZ75N10S    | (74)  |      |    |          |      |    |    |      |    | 付き<br>With Stopper |                  |                    | 213                             |                         |      |                    |                    |             |     |     |
| TCA-FZ75N12     | —     |      |    |          |      |    |    |      |    | —                  |                  |                    | 210                             |                         |      |                    |                    |             |     |     |
| TCA-FZ75N12S    | (74)  |      |    |          |      |    |    |      |    | 付き<br>With Stopper |                  |                    | 219                             |                         |      |                    |                    |             |     |     |
| TCA-FZW75N10    | —     |      |    | M10×1.5  |      |    |    |      |    | 110                | 6                |                    | 21                              | 25                      | (66) | 29                 | —                  | 白色<br>White | 100 | 204 |
| TCA-FZW75N10S   | (74)  |      |    |          |      |    |    |      |    |                    |                  |                    |                                 |                         |      |                    | 付き<br>With Stopper |             |     | 213 |
| TCA-FZW75N12    | —     |      |    |          |      |    |    |      |    |                    |                  |                    |                                 |                         |      |                    | —                  |             |     | 210 |
| TCA-FZW75N12S   | (74)  |      |    |          |      |    |    |      |    |                    |                  |                    |                                 |                         |      |                    | 付き<br>With Stopper |             |     | 219 |
| TCA-FZ100N12    | —     | φ100 | 35 | M12×1.75 | 110  | 6  | 25 | (66) | 29 |                    |                  | —                  |                                 |                         |      |                    | グレー<br>Gray        | 140         |     | 517 |
| TCA-FZ100N12S   | (100) |      |    |          |      |    |    |      |    |                    |                  | 付き<br>With Stopper |                                 |                         |      |                    |                    |             |     | 527 |
| TCA-FZ100N16    | —     |      |    |          |      |    |    |      |    |                    |                  | —                  |                                 |                         |      |                    |                    |             |     | 534 |
| TCA-FZ100N16S   | (100) |      |    |          |      |    |    |      |    |                    |                  | 付き<br>With Stopper |                                 |                         |      |                    |                    |             |     | 543 |
| TCA-FZW100N12   | —     |      |    | M12×1.75 |      |    |    |      |    | 145                | 6                | 21                 | 25                              | (69)                    | 29   | —                  | 白色<br>White        |             | 140 | 517 |
| TCA-FZW100N12S  | (100) |      |    |          |      |    |    |      |    |                    |                  |                    |                                 |                         |      | 付き<br>With Stopper |                    |             |     | 527 |
| TCA-FZW100N16   | —     |      |    |          |      |    |    |      |    |                    |                  |                    |                                 |                         |      | —                  |                    |             |     | 534 |
| TCA-FZW100N16S  | (100) |      |    |          |      |    |    |      |    |                    |                  |                    |                                 |                         |      | 付き<br>With Stopper |                    |             |     | 543 |
| TCA-FZ130N12    | —     | φ130 | 45 | M12×1.75 | 145  | 6  | 25 | (69) | 29 |                    |                  |                    |                                 |                         |      | —                  | グレー<br>Gray        | 140         |     | 757 |
| TCA-FZ130N12S   | (129) |      |    |          |      |    |    |      |    |                    |                  |                    |                                 |                         |      | 付き<br>With Stopper |                    |             |     | 780 |
| TCA-FZ130N16    | —     |      |    |          |      |    |    |      |    |                    |                  |                    |                                 |                         |      | —                  |                    |             |     | 772 |
| TCA-FZ130N16S   | (129) |      |    |          |      |    |    |      |    |                    |                  |                    |                                 |                         |      | 付き<br>With Stopper |                    |             |     | 795 |
| TCA-FZW130N12   | —     |      |    | M12×1.75 |      |    |    |      |    | 145                | 6                | 21                 | 25                              | (69)                    | 29   | —                  | 白色<br>White        |             | 140 | 757 |
| TCA-FZW130N12S  | (129) |      |    |          |      |    |    |      |    |                    |                  |                    |                                 |                         |      | 付き<br>With Stopper |                    |             |     | 780 |
| TCA-FZW130N16   | —     |      |    |          |      |    |    |      |    |                    |                  |                    |                                 |                         |      | —                  |                    |             |     | 772 |
| TCA-FZW130N16S  | (129) |      |    |          |      |    |    |      |    |                    |                  |                    |                                 |                         |      | 付き<br>With Stopper |                    |             |     | 795 |

特注品のご相談承ります Please contact us for custom-made.