

Handles can be difficult to grip when wearing gloves...

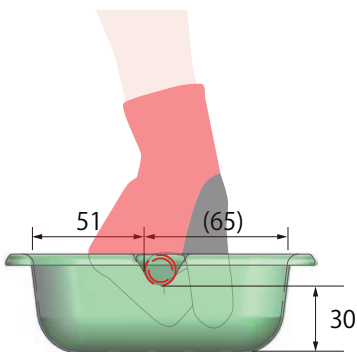
We offer easy-to-grip handles compliant with SEMI standards!



THA-477SUS  
Large Flush Pulls (Stainless steel)



## Safety



Designed with ample depth inside the handle to help prevent hand or knuckle injuries when handling heavy loads.

## Easy-to-grip



A wide opening ensures a secure and comfortable grip, even when wearing gloves.

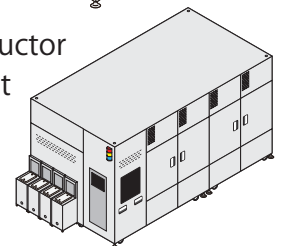
## Improved Strength

### Applications

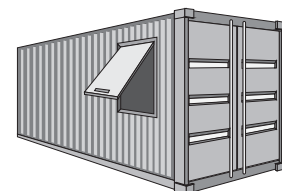
Kitchen Equipment



Semiconductor Equipment



Industrial Containers



A uniquely engineered design enhances strength, reducing the risk of damage and providing peace of mind during use.



TOCHIGIYA CO.,LTD.

**Characteristic**

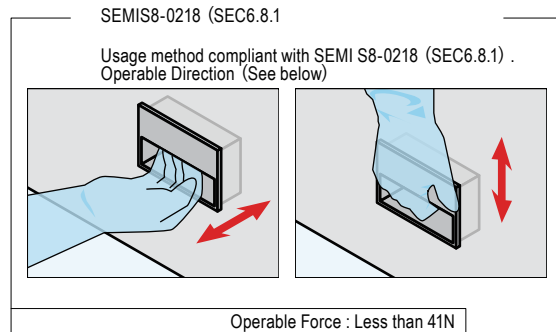
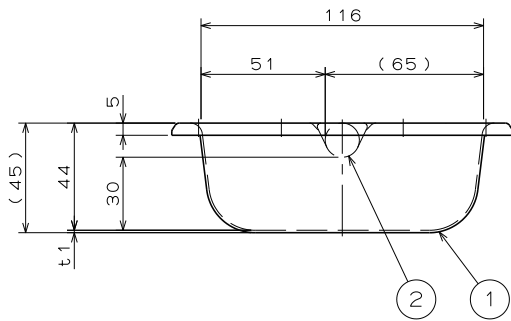
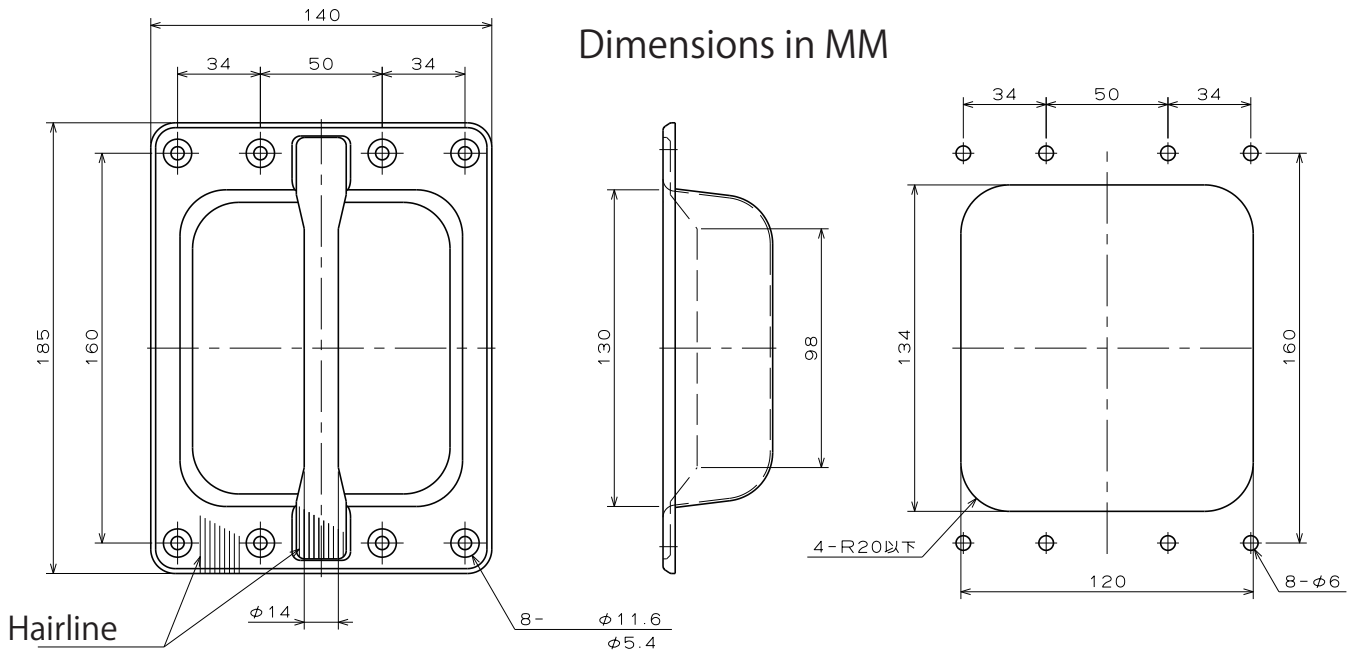
This is the stainless steel made pulls, that complies with SEMI regulation S8-0218 (section 6.8.1), "Hook grabbing type handle". Easy operation is available with its wide and deep handle part

**Application**

Semiconductor equipment / Kitchen equipment / Measuring instrument / Large doors / Containers, etc.

**Parts List**

No.	Parts Name	Material	Finish	Qty
1	Case	SUS304	Hairline	1
2	Handle			1



**Specification**

Model No.	W (g)
THA-477SUS	379



Please contact us custom-made size or specification.

**TOCHIGIYA CO.,LTD.**

<https://tochigiya.jp/shop/>



TOCHIGIYA ONLINESHOP

search

**Visit our Online Shop to download CAD data available on desktop.**