

Creates doors that do not require handles or knobs

Easy to Grip Door with One-Push Opening and Closing, Highly Durable



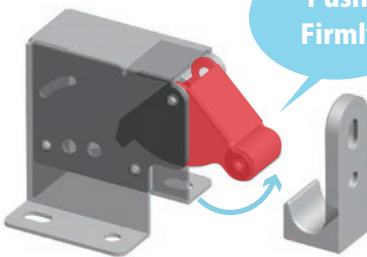
NEW **TL-520**
Push Latch



For Details



**Easy to
Grip Door**

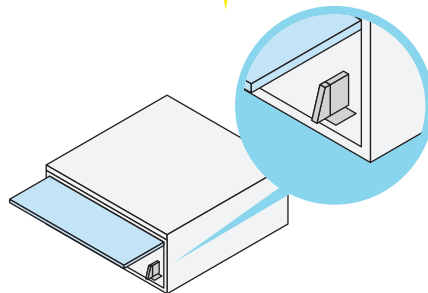


The long push-out stroke when released ensures the door is pushed out firmly

Lock Release / Push-Out Force:
Approx. 14.7 N (1.5 kgf)
(Reference)



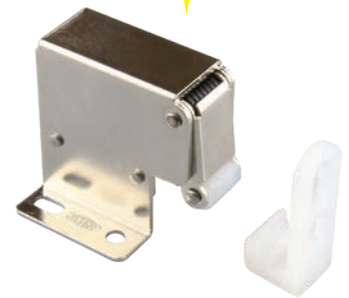
**One-Push
Operation**



Push-to-open operation creates flat doors and panels without handles or knobs.



**High
Durability**



Tested for 100,000 cycles, making it ideal for frequently used doors

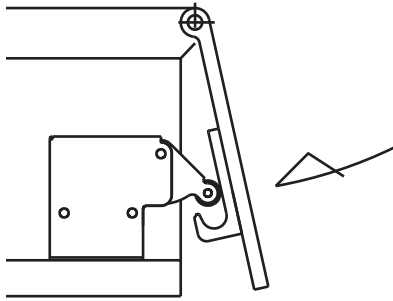


TOCHIGIYA CO.,LTD.

The roller-type lock slides smoothly over the keeper, enabling reliable locking even with angled contact. For installation, the keeper should be inserted as horizontally as possible.

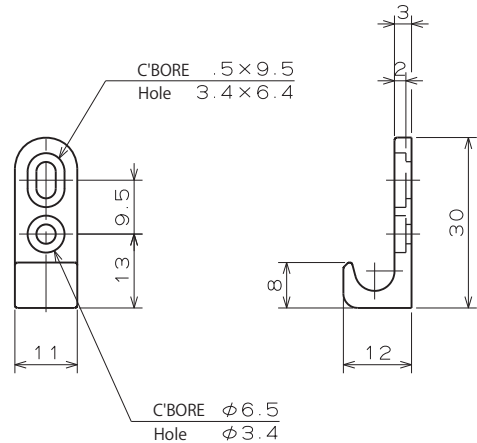
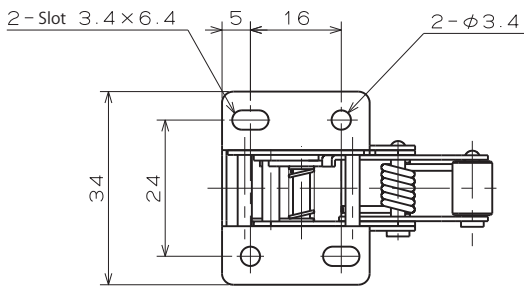
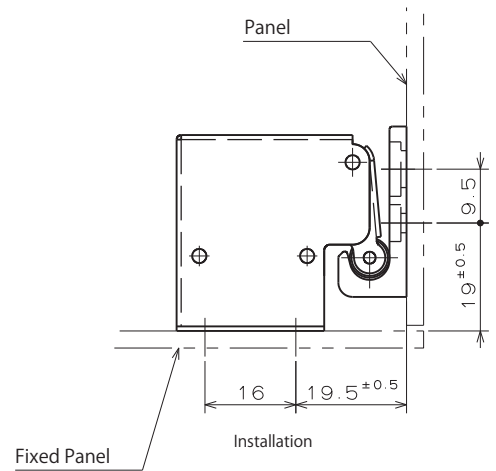
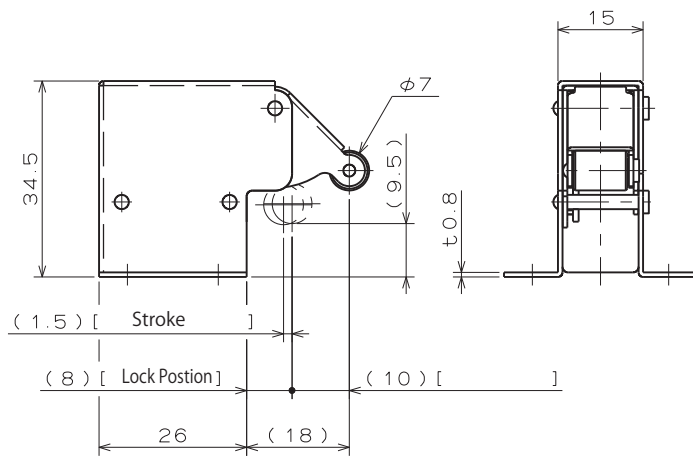
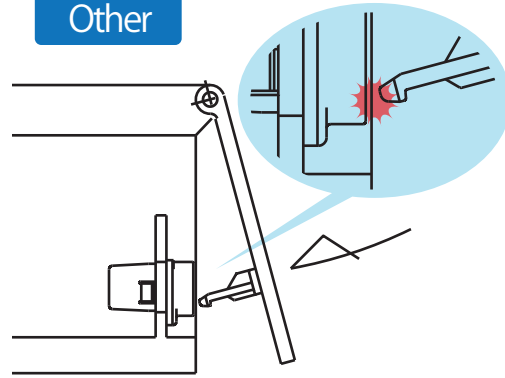
Easy locking

This Model



The Keeper Is Not Properly Inserted into the Main Body

Other



Model No.	W (g)
TL-520	43



We help solve your component challenges. Please feel free to contact us!

TOCHIGIYA TOCHIGIYA CO.,LTD.

<https://tochigiya.jp/shop/>



TOCHIGIYA ONLINESHOP

search

2D/3D CAD data available for download (PC access only)