



## TM-B型 グロメット

Rubber Grommet B-Type



### 特長

機器のシャーシに取り付けるだけで、大きな断線防止効果をもたらします。  
同寸法の難燃性仕様（UL94 V-0 認定材料使用）もございます。

### 用途

計測機器・通信機器・電気製品等

### 仕様

硬度：50度±5度

### Characteristic

It is effective on preventing wire disconnection only by installing on equipment chassis.

Each model of Flame-retardant rubber are also available.

### Application

Measuring instruments / Telecommunication devices / Electric appliances, etc.

### Specification

Hardness: 50°±5°

### 材質と処理 Material & Finish

型番 Model No.	材質 Material	処理 Finish
TM-B-□-□	EPDM	黒色 Black
TM-B-□-□-EPUL	EPDM (UL 認定材料) EPDM (UL authorized material)	
TM-B-□-□-CRUL	CR (UL 認定材料) CR (UL authorized material)	

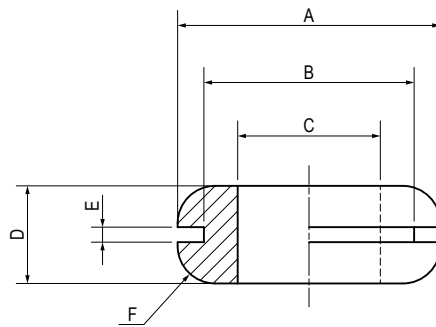
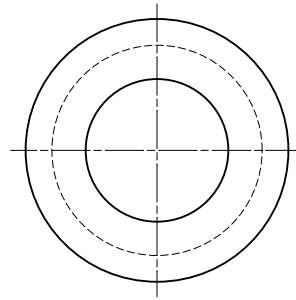
### 型番指定例（例：TM-B-6-1）

Please specify model no. as below example (i.g. : TM-B-6-1)

EPDM 製 (UL 認定材料) EPDM (UL authorized material)	TM-B-6-1-EPUL
CR 製 (UL 認定材料) CR (UL authorized material)	TM-B-6-1-CRUL

### 寸法・仕様表 Size List & Specification

型番 Model No.	A	B	C	D	E	F	自重 (g) Net Weight (g)		
TM-B-6-1	18	12	6	7	1	R3	1.6		
TM-B-6-2				8	2				
TM-B-8-1	20	14	8	7	1		R4	2.2	
TM-B-8-2				8	2				
TM-B-10-1	22	16	10	9	1			R5	2.5
TM-B-10-2				9	2				
TM-B-12-1	26	19	12	10	1	R6			4.3
TM-B-12-2				11	2				
TM-B-14-1	29	22	14	10	1		R8		5.2
TM-B-14-2				11	2				
TM-B-16-1	32	25	16	10	1			R6.5	6.5
TM-B-16-2				11	2				
TM-B-19-1	35	28	19	12	1	R8			8.5
TM-B-19-2				13	2				
TM-B-22-1	40	32	22	12	1		R8		10.6
TM-B-22-2				13	2				
TM-B-25-1	44	36	25	14	1			R8	14.8
TM-B-25-2				15	2				
TM-B-28-1	48	40	28	14	1	R8			17.5
TM-B-28-2				15	2				
TM-B-32-1	52	44	32	18	1		R8		23.3
TM-B-32-2				19	2				
TM-B-36-1	56	48	36	18	1			R8	26.3
TM-B-36-2				19	2				
TM-B-45-1.5	75	55	45	14.5	1.5	R6.5			49.9
TM-B-45-3				16	3				



## 寸法・仕様表 Size List &amp; Specification

型番 Model No.	A	B	C	D	E	F	自重 (g) Net Weight (g)
NEW TM-B-6-1-EPUL/-CRUL	18	12	6	7	1	R3	1.6
NEW TM-B-6-2-EPUL/-CRUL				8	2		
NEW TM-B-8-1-EPUL/-CRUL	20	14	8	7	1		2.2
NEW TM-B-8-2-EPUL/-CRUL				8	2		
NEW TM-B-10-1-EPUL/-CRUL	22	16	10	8	1		2.5
NEW TM-B-10-2-EPUL/-CRUL				9	2		
NEW TM-B-12-1-EPUL/-CRUL	26	19	12	10	1	R4	4.3
NEW TM-B-12-2-EPUL/-CRUL				11	2		4.4
NEW TM-B-14-1-EPUL/-CRUL	29	22	14	10	1		5.2
NEW TM-B-14-2-EPUL/-CRUL				11	2		
NEW TM-B-16-1-EPUL/-CRUL	32	25	16	10	1		6.5
NEW TM-B-16-2-EPUL/-CRUL				11	2		
NEW TM-B-19-1-EPUL/-CRUL	35	28	19	12	1	8.5	
NEW TM-B-19-2-EPUL/-CRUL				13	2		9.2
NEW TM-B-22-1-EPUL/-CRUL	40	32	22	12	1	10.6	
NEW TM-B-22-2-EPUL/-CRUL				13	2		10.9
NEW TM-B-25-1-EPUL/-CRUL	44	36	25	14	1	14.8	
NEW TM-B-25-2-EPUL/-CRUL				15	2		15.3
NEW TM-B-28-1-EPUL/-CRUL	48	40	28	14	1	17.5	
NEW TM-B-28-2-EPUL/-CRUL				15	2		18.1
NEW TM-B-32-1-EPUL/-CRUL	52	44	32	18	1	23.3	
NEW TM-B-32-2-EPUL/-CRUL				19	2		27.9
NEW TM-B-36-1-EPUL/-CRUL	56	48	36	18	1	26.3	
NEW TM-B-36-2-EPUL/-CRUL				19	2		27.1
NEW TM-B-45-1.5-EPUL/-CRUL	75	55	45	14.5	1.5	R6.5	49.9
NEW TM-B-45-3-EPUL/-CRUL				16	3		51.1

特注品のご相談承ります Please contact us for custom-made.