

## TM-NG-79型 グロメット

Rubber Grommet NG-79-Type



### 特長

機器のシャーシに取り付けるだけで、大きな断線防止効果をもたらします。  
同寸法の難燃性仕様（UL94 V-0 認定材料使用）もございます。

### 用途

測定機・通信機・電気製品等

### 仕様

硬度：50度±5度

### Characteristic

It is effective on preventing wire disconnection only by installing on equipment chassis.

Each model of Flame-retardant rubber are also available.

### Application

Measuring instruments / Telecommunication devices / Electric appliances, etc.

### Specification

Hardness: 50°±5°

### 材質と処理 Material & Finish

型番 Model No.	材質 Material	処理 Finish
TM-NG-79-□	EPDM	黒色 Black
TM-NG-79-□-EPUL	EPDM (UL 認定材料) EPDM (UL authorized material)	
TM-NG-79-□-CRUL	CR (UL 認定材料) CR (UL authorized material)	

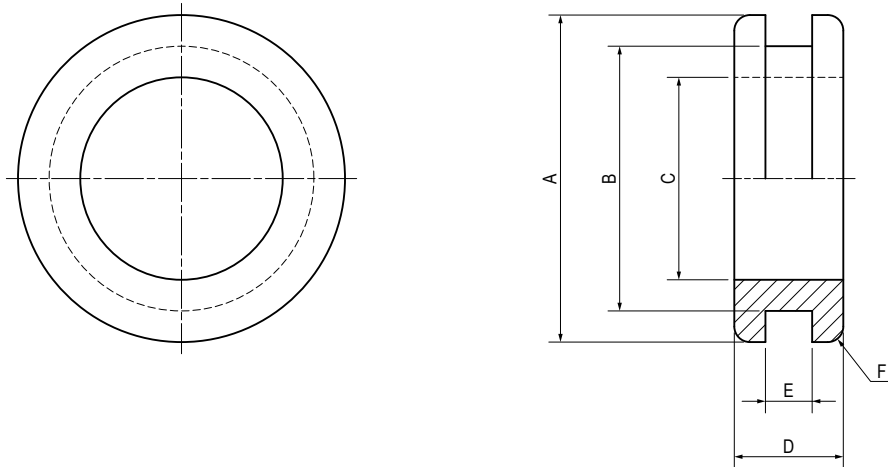
### 型番指定例（例：TM-NG-79-1）

Please specify model no. as below example (i.g. : TM-NG-79-1)

EPDM 製 (UL 認定材料) EPDM (UL authorized material)	TM-NG-79-1-EPUL
CR 製 (UL 認定材料) CR (UL authorized material)	TM-NG-79-1-CRUL

### 寸法・仕様表 Size List & Specification

型番 Model No.	A	B	C	D	E	F	自重 (g) Net Weight (g)
TM-NG-79-1	9	6	3.5	3.7	1.2	R0.6	0.2
TM-NG-79-A				4.5	1.5		0.4
TM-NG-79-A-1	11	8	5	4	1		0.3
TM-NG-79-A-2				5	2		0.4
TM-NG-79-B				6	3		0.6
TM-NG-79-C	13	10	7	4.5	1.5		R1
TM-NG-79-D				6	3	1.4	
TM-NG-79-E				4.5	1.5	1.5	
TM-NG-79-F	15	12	9	6	3	R1.2	1.6
TM-NG-79-G	19	15	11	5.5	1.5		1.7
TM-NG-79-H				7	3		3
TM-NG-79-J				5.5	1.5		3.2
TM-NG-79-K	21	17	13	7	3		3.5
TM-NG-79-L	23	19	15	5.5	1.5		4
TM-NG-79-M				7	3	6.1	
TM-NG-79-N				6.5	1.5	6.9	
TM-NG-79-O	30	25	20	8	3	R1.2	3
TM-NG-79-P	35	30	25	6.5	1.5		3.2
TM-NG-79-Q				8	3		3.5
TM-NG-79-R				6.5	1.5		4
TM-NG-79-S	42	36	30	7.5	1.5		6.1
				9	3		6.9



寸法・仕様表 Size List &amp; Specification

型番 Model No.	A	B	C	D	E	F	自重 (g) Net Weight (g)
TM-NG-79-1-EPUL/-CRUL	9	6	3.5	3.7	1.2	R0.6	0.2
TM-NG-79-A-EPUL/-CRUL	11	8	5	4.5	1.5		0.4
TM-NG-79-A-1-EPUL/-CRUL				4	1		0.3
TM-NG-79-A-2-EPUL/-CRUL				5	2		0.4
TM-NG-79-B-EPUL/-CRUL				6	3		
TM-NG-79-C-EPUL/-CRUL	13	10	7	4.5	1.5		0.6
TM-NG-79-D-EPUL/-CRUL				6	3		
TM-NG-79-E-EPUL/-CRUL				4.5	1.5		
TM-NG-79-F-EPUL/-CRUL	15	12	9	6	3	R1	1.2
TM-NG-79-G-EPUL/-CRUL				5.5	1.5		1.4
TM-NG-79-H-EPUL/-CRUL	19	15	11	7	3		1.5
TM-NG-79-J-EPUL/-CRUL				5.5	1.5		1.6
TM-NG-79-K-EPUL/-CRUL				7	3		
TM-NG-79-L-EPUL/-CRUL	21	17	13	5.5	1.5		R1.2
TM-NG-79-M-EPUL/-CRUL				7	3		
TM-NG-79-N-EPUL/-CRUL	23	19	15	6.5	1.5	3	
TM-NG-79-O-EPUL/-CRUL				8	3	3.2	
TM-NG-79-P-EPUL/-CRUL	30	25	20	6.5	1.5	3.5	
TM-NG-79-Q-EPUL/-CRUL				8	3	4	
TM-NG-79-R-EPUL/-CRUL				7.5	1.5	6.1	
TM-NG-79-S-EPUL/-CRUL	35	30	25	8	3	6.9	
TM-NG-79-R-EPUL/-CRUL				7.5	1.5		
TM-NG-79-S-EPUL/-CRUL	42	36	30	9	3		

特注品のご相談承ります Please contact us for custom-made.